

**JAMES**<sup>®</sup>

James Industry Group Co., Ltd



# LED Ceiling Light

## A Series

# LED Ceiling Light

# A Series

## Advantage

- Suitable for Surface Mount.
- Ideal for Harsh Environment Applications.
- 110 lumens per watt help to reduce payback period of energy saving.
- Excellent light distribution and uniformity.
- Stainless Steel base.
- 50,000 hours working time and 5 years warranty.
- Optional 100% DR lens additive for impact resistance.
- Ideal for high moisture areas subject to the possibility of abuse.
- Built-in Constant Current LED Driver with High Efficient LED Module.
- Dimmable function for scene setting.



## Common Technical Data

Color Temperature	3000K to 5700K	Input Voltage with ballast	100-277V
Viewing Angle	120 degrees	Frequency	50/60Hz
Color Consistency	4 steps	Power Factor	More than 0.99
CRI	More than 80	Rated Life	5 years
Operation Temperature	-30-45°C	Led Type	SMT 3030 1.5W philips Led
Efficiency	More than 110 LPW	Housing	PC+Steel

UL, cUL and Energy Star certified

## Ordering Guide

EV	/	C	/	40W...16W/14W/12W	/	10in/12in/14in/16in	/	AND
Company Code		Product Code		Wattage		Diameter		Series/Non-dim/Driver

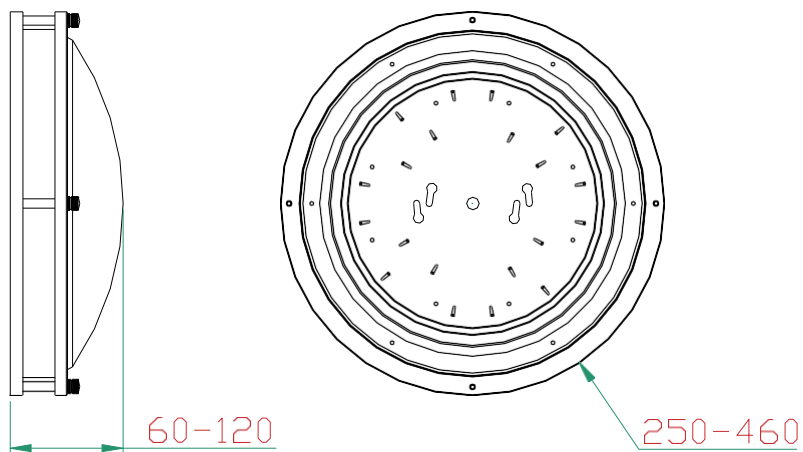
## Warranty

This product has a warranty of period of 5 years from the date of purchase. The warranty is invalid in the case of improper use installation, tampering, and removal of the Q.C. date label, installation in an improper working environment or installation not according to the current edition of the National Electric Code. Should this product fail during the warranty period it will be replaced free of charge, subject to correct installation and return of the faulty unit. James does not accept responsibility for any installation costs associated with the replacement of this product. This warranty is in addition to the statutory rights in your country of purchase. James reserves the right to alter specifications without prior notice.

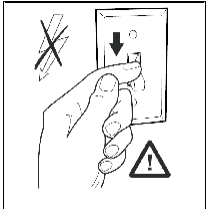
## Detailed Technical Data

Product Number	Beam Angle	Chips	CCT	Input Voltage	Wattage	Lumens	Life Span	CRI	Diameter
EV-C12W ADD	120°	2835/3030	3000-6000K	AC100-277V	12	1320	50000	80	10"~16"
EV-C14W ADD	120°	2835/3030	3000-6000K	AC100-277V	14	1540	50000	80	10"~16"
EV-C16W ADD	120°	2835/3030	3000-6000K	AC100-277V	16	1760	50000	80	10"~16"
EV-C18W ADD	120°	2835/3030	3000-6000K	AC100-277V	18	1980	50000	80	10"~16"
EV-C20W ADD	120°	2835/3030	3000-6000K	AC100-277V	20	2200	50000	80	10"~16"
EV-C22W ADD	120°	2835/3030	3000-6000K	AC100-277V	22	2410	50000	80	10"~16"
EV-C24W ADD	120°	2835/3030	3000-6000K	AC100-277V	24	2640	50000	80	10"~16"
EV-C26W ADD	120°	2835/3030	3000-6000K	AC100-277V	26	2860	50000	80	10"~16"
EV-C28W ADD	120°	2835/3030	3000-6000K	AC100-277V	28	3080	50000	80	10"~16"
EV-C30W ADD	120°	2835/3030	3000-6000K	AC100-277V	30	3300	50000	80	10"~16"
EV-C32W ADD	120°	2835/3030	3000-6000K	AC100-277V	32	3520	50000	80	10"~16"
EV-C34W ADD	120°	2835/3030	3000-6000K	AC100-277V	34	3740	50000	80	10"~16"
EV-C36W ADD	120°	2835/3030	3000-6000K	AC100-277V	36	3960	50000	80	10"~16"
EV-C38W ADD	120°	2835/3030	3000-6000K	AC100-277V	38	4180	50000	80	10"~16"
EV-C40W ADD	120°	2835/3030	3000-6000K	AC100-277V	40	4400	50000	80	10"~16"

## Dimensions



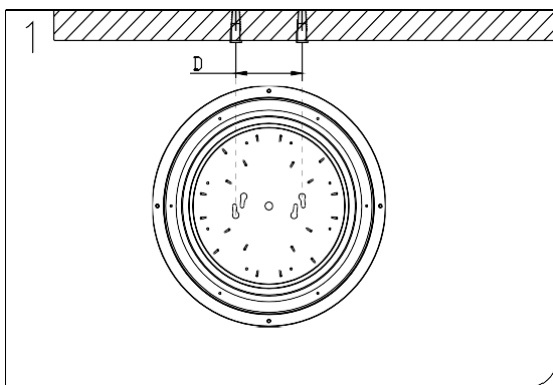
## Regarding Installation



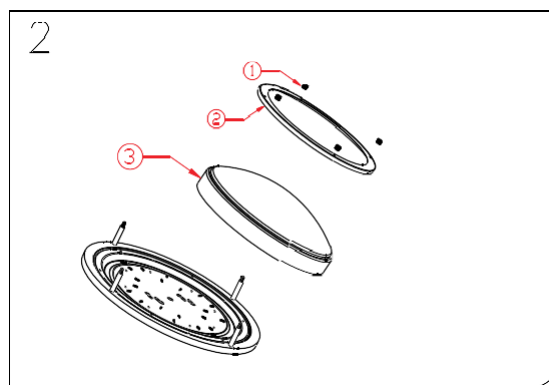
**⚠ WARNING**  
**RISK OF FIRE, ELECTRIC SHOCK OR PERSONAL INJURY**  
Before installation, turn power off.



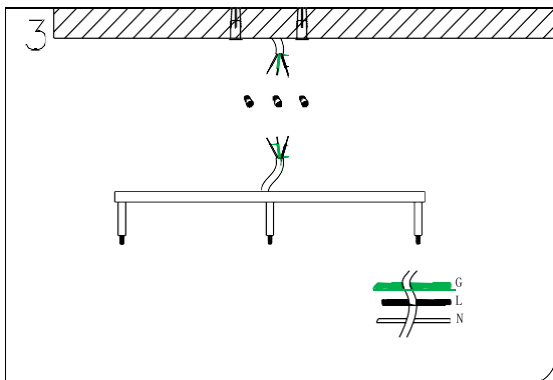
The specific steps of installation



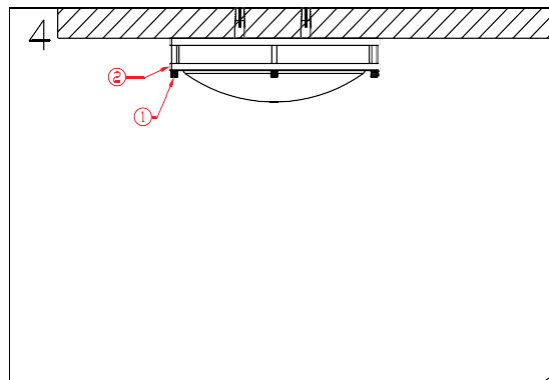
1. Measure the distance of installation holes as picture, drill two holes according distance 'D' on the ceiling and install two plastic expansion screws which are in the accessory bag.



2. Undo Part 1 by hand, take out part 2 and 3 from the luminaire.



3. Connect the AC power cable, Black joins to L, White join to N and the green/yellow cable to grounding.



4. Screw the luminaire base on the ceiling, match the part 2 (ring) with base and tighten 4x part 1 (screw).