

Led Canopy Light

JaMes

Committed to Project Rebate in North American

Advantage

- Suitable for Ceiling Mount.
- Ideal for Harsh Environment Applications.
- 110 lumens per watt help to reduce pay back period of energy saving.
- Excellent light distribution and uniformity.
- Stainless Steel Clips.
- 50000 hours working time and 5 years warranty.
- Optional 100% DR lens additive for impact resistance
- Ideal for high moisture areas subject to the possibility of abuse.
- Built-in Constant Current LED Driver with High Efficient LED Module
- Specilized on the rebate program in North American.



Common Technical Data

Color Temperature	2700K to 5000K	Input Voltage with ballast	100-277V
Beam Angle	100 degree	Frequency	50/60Hz
Color Consistency	4 steps	Power Factor	More than 0.99
CRI	More than 80	Rated Life	5 years
Operation Temperature	-20-45°C	Led Type	SMT 3030 1.5W Philips Led
Efficiency	More than 110 LPW	Housing	Aluminum
Ip65 Wet Location			UL, cUL and FCC certified

Ordering Guide

ZY	SCP	100W/130W/150W
Company Code	Product Code	Wattage

Warranty

This product has a warranty of period of 5 years from the date of purchase. The warranty is invalid in the case of improper use installation, tampering, and removal of the Q.C. date label, installation in an improper working environment or installation not according to the current edition of the National Electric Code. Should this product fail during the warranty period it will be replaced free of charge, subject to correct installation and return of the faulty unit. James does not accept responsibility for any installation costs associated with the replacement of this product. This warranty is in addition to the statutory rights in your country of purchase. James reserves the right to alter specifications without prior notice.

James Trading Company Limited

Tel: +1 (973)-960-1877

Email: Cady@jamesindustry.com

Skype: dubocady@msn.com

Led Canopy Light

Common Technical Data

Model	ZY-SCP-100W	ZY-SCP-130W	ZY-SCP-150W
Power	100W	130W	150W
Lumens	11000	14300	16500
Size(inch)(LxWxH)	14.9'x14.9'x2.0'	14.9'x14.9'x2.0'	14.9'x14.9'x2.0'
Color Temp	4000K,4500K, 5000K, 5700K		
Housing	AL and PC		
Operation Temp	-20°C to 45°C		
Life Span	50,000 hours		
Driver	High efficiency meanwell driver		
Voltage range	AC100-277V		
Frequency	50/60Hz		
Beam Angle	100°		
CRI	≥80		
PF	≥0.95		
Power Efficiency	≥90%		

James Trading Company Limited

Tel: +1 (973)-960-1877

Email: Cady@jamesindustry.com

Skype: dubocady@msn.com

Led Slim Canopy Light

Advantage

- Suitable for Ceiling Mount.
- Ideal for Harsh Environment Applications.
- 120 lumens per watt help to reduce pay back period of energy saving.
- Excellent light distribution and uniformity.
- Stainless Steel Clips.
- 50000 hours working time and 5 years warranty.
- Optional 100% DR lens additive for impact resistance.
- Ideal for high moisture areas subject to the possibility of abuse.
- Built-in Constant Current LED Driver with High Efficient LED Module
- Specilized on the rebate program in North American.



Common Technical Data

Color Temperature	2700K to 5000K	Input Voltage with ballast	100-277V
Beam Angle	150 degree	Frequency	50/60Hz
Color Consistency	4 steps	Power Factor	More than 0.99
CRI	More than 80	Rated Life	5 years
Operation Temperature	-20-45°C	Led Type	SMT 2835
Efficiency	More than 120 LPW	Housing	Steel
Ip65 Wet Location			UL, cUL and FCC certified

Ordering Guide

ZY	CP	45W/55W/65W
Company Code	Product Code	Wattage

Warranty

This product has a warranty of period of 5 years from the date of purchase. The warranty is invalid in the case of improper use installation, tampering, and removal of the Q.C. date label, installation in an improper working environment or installation not according to the current edition of the National Electric Code. Should this product fail during the warranty period it will be replaced free of charge, subject to correct installation and return of the faulty unit. James does not accept responsibility for any installation costs associated with the replacement of this product. This warranty is in addition to the statutory rights in your country of purchase. James reserves the right to alter specifications without prior notice.

James Trading Company Limited

Tel: +1 (973)-960-1877

Email: Cady@jamesindustry.com

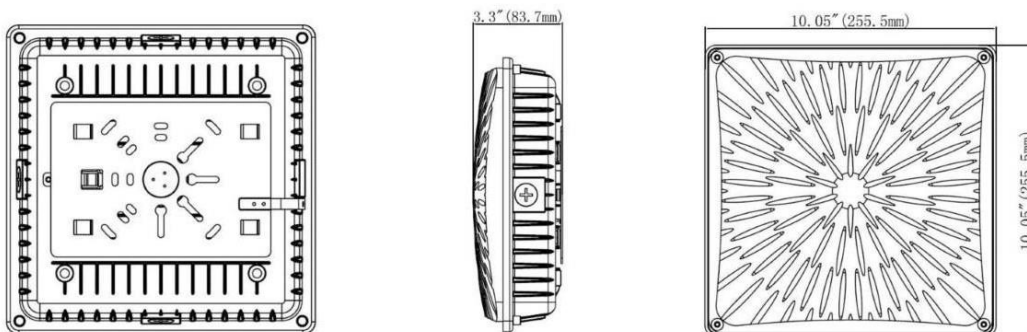
Skype: dubocady@msn.com

Led Slim Canopy Light

Common Technical Data

Model	ZY-CP-45W27	ZY-CP-55W27	ZY-CP-65W27
Power	45W	55W	65W
Lumens	5300	6600	7800
Size(inch)(LxWxH)	10.5'x10.5'x3.3'	10.5'x10.5'x3.3'	10.5'x10.5'x3.3'
Color Temp	4000K,4500K, 5000K, 5700K		
Housing	Steel and PC		
Operation Temp	-20°C to 45°C		
Life Span	50,000 hours		
Driver	High efficiency driver		
Voltage range	AC100-277V		
Frequency	50/60Hz		
Beam Angle	100°		
CRI	>80		
PF	≥0.95		
Power Efficiency	≥90%		

Dimension



James Trading Company Limited

Tel: +1 (973)-960-1877

Email: Cady@jamesindustry.com

Skype: dubocady@msn.com