



Non-Dimmable LED T8



Model No.	Item name	Material	Lumens ² (lm)	Watts (w)	Length (mm)	Width (mm)	Height h (mm)	CCT ¹ (k)	Efficac y (lm/w)	CRI	Dim	Lifetime ³ (h)	Beam Angle	Voltage (v)	Certification
EV-003MFL-40 5000K (frosted)	shoplight	Steel	4000	40	1200	130.6	45.6	4000K/5000K	100	80	No	35000 /		120	ETL, FCC, ES

remark: Link up to 4 pcs.

1. CCT Range complies to ANSI C78.377-2008.

2. Thermally stable typical lumens (± 10%)

3. Rated life is based on 70% lumen maintenance, and engineering testing and probability analysis.

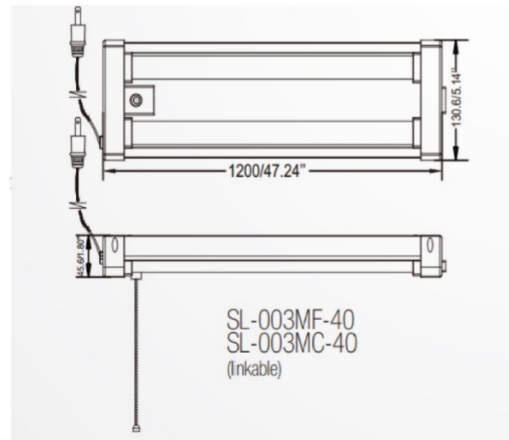
Note: All Information consistent with IESNA LM-80-08 results and IESNA LM-79-08 testing completed by a qualified third party facility.

5 THREE YEARS WARRANTY



Dimensions

Model	MOL	Diameter	Height
EV-003MFL-40	47.24"	5.14"	1.8"



Contact: Cady Liu Office: (561)430-9251 Mobile: (973)960-1877
 Email: Cady@jamesindustry.com www.jamesindustry.com