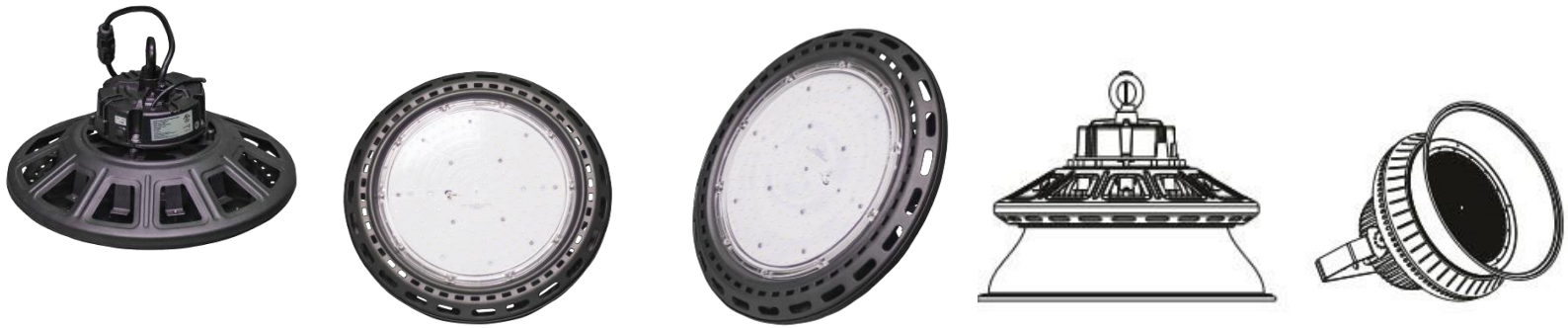
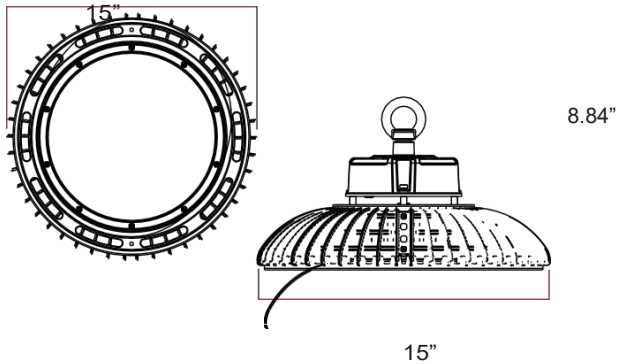


LED UFO TYPE A

The LED UFO High Bay is an ideal replacement for metal halide. The thermal management from the fin type aluminum heat sink enables the lumen efficacy to be higher.



DIMENSIONS



CERTIFICATIONS



FEATURE

- Die-cast aluminum
- Nichia SMD
- Multiple mounting options
- *Rated IP65*
- 3-Dimension heat dissipation
- Ease of installation and maintenance
- Can work with motion sensors
- 5 Year Manufacturer's Warranty

WARRANTY

This product has a warranty for a period of 5 years from the date of purchase. The warranty is invalid in the case of improper installation, tampering, or removal of the Q.C. date label. Installation in an improper working environment or installation not according to the current edition of the National Electric Code also invalidates the warranty. Should this product fail during the warranty period, it will be replaced free of charge, subject to correct installation and return of the faulty unit. James® does not accept responsibility for any installation costs associated with the replacement of this product. This warranty is in addition to the statutory rights in the country of purchase. James® reserves the right to alter specifications without prior notice.

COMMON TECHNICAL DATA

| | |
|-----------------------|---------------------|
| Color Temperature | 4000K to 5000K |
| CRI | > 80 |
| Beam Angle | 60°/120° |
| Operation Temperature | -30°C to 50°C |
| Efficiency | More than 130 LPW |
| Input Voltage | AC100-277V/200-480V |
| Frequency | 50-60Hz |
| Power Factor | More than 0.95 |
| Rated Life | 50,000 hours |
| LED Type | Nichia 3030 |
| Dimming | 0-10V |

LED UFO GEN2

PRODUCT SPECIFICATION

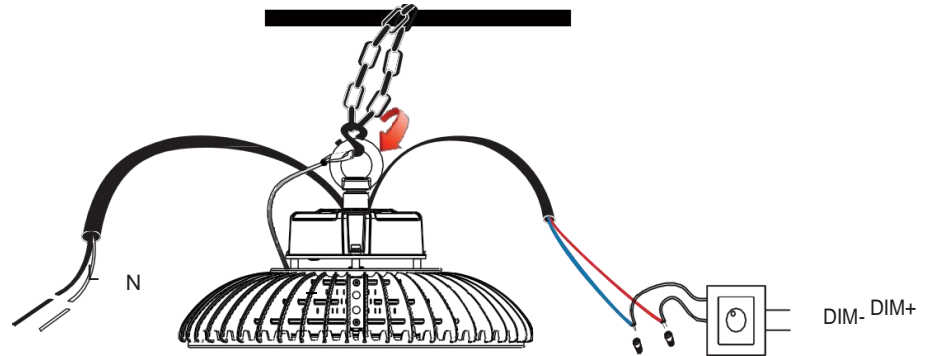
| Product Number | Wattage | Color | Beam Angle | Lumens | Dimmable | Input Voltage |
|----------------|---------|-------------|------------|--------|----------|-----------------------|
| EV-U80W BDZ | 80W | 4000K-5000K | 60°/120° | 10,800 | 0-10V | AC100-277V/AC200-480V |
| EV-U100W BDZ | 100W | 4000K-5000K | 60°/120° | 13,500 | 0-10V | AC100-277V/AC200-480V |
| EV-U150W BDZ | 150W | 4000K-5000K | 60°/120° | 20,250 | 0-10V | AC100-277V/AC200-480V |
| EV-U200W BDZ | 200W | 4000K-5000K | 60°/120° | 27,000 | 0-10V | AC100-277V/AC200-480V |
| EV-U240W BDZ | 240W | 4000K-5000K | 60°/120° | 32,400 | 0-10V | AC100-277V/AC200-480V |

INSTALLATION INSTRUCTIONS

Mounting Procedure:

1. Turn OFF power at the breaker panel before installation.
2. Secure chain to the loop. Fix luminaire with chain to ceiling. Make sure the loop is securely screwed into the luminaire (A).
3. Use the buckles to fix the safety rope with the body and hook (A).
4. Connect the AC wires and/or dimming wires.
5. Switch ON power to the fixture at the breaker panel.

(A)



CAUTION

- Risk of fire- make sure power is OFF before installation.
- Risk of electric shock- make installation with gloves.
- All wiring needs to be performed per National Electrical Code and local code by a qualified electrician.
- These lamps can be used with a light dimmer.
- High temperatures inside luminaire. Make certain line voltage corresponds with ballast's primary voltage.
- If the lamp or luminaire exhibits undesirable operation (i.e. buzzing, flickering, etc.), immediately turn off power and remove the lamp from luminaire and contact manufacturer.
- Luminaires should not be installed in narrow space to guarantee enough air convection.
- Do not make mass installation before sample testing.