

James Group

Contact: Cady Liu

Office: (561) 430-9251 | Mobile: (973) 960-1877

Email: cady@jamesindustry.com

Website: www.jamesindustry.com



JAMES



Solar Street Light

All in one

Company Profile

Founded in 2006, DongGuan City,GuangDong ,China,James is a global company that provides a wide range of LED products including LED tube, LED panel, LED troffer, LED troffer retrofit kit, LED strip,LED linear high bay, LED UFO high bay, LED cooler light, LED wall pack, LED grow light, LED ceiling light, LED down light, LED explosion proof light, LED canopy light, LED shop light and so on.

Since the establishment of James, we have created an elite marketing team, a stable purchasing,logistics team and professional financial team. James has established a perfect operation system, the most professional team, with the most advanced testing equipment, under the concept of constant development, bearing the social responsibility, to develop valuable product and outstanding service.

Contact: Cady Liu
Office: (561) 430-9251 | Mobile: (973) 960-1877
Email: cady@jamesindustry.com
Website: www.jamesindustry.com

ST
JAMES
INDUSTRY
CORP

BB Series

	SPSB-15	05/06
	SPSB-25	07/08
	SPSB-35	09/10
	SPSB-45	11/12
	SPSB-60	13/14

EB Series

	SPSEB-25	15/16
	SPSEB-35	17/18
	SPSEB-45	19/20
	SPSEB-60	21/22

BS Series

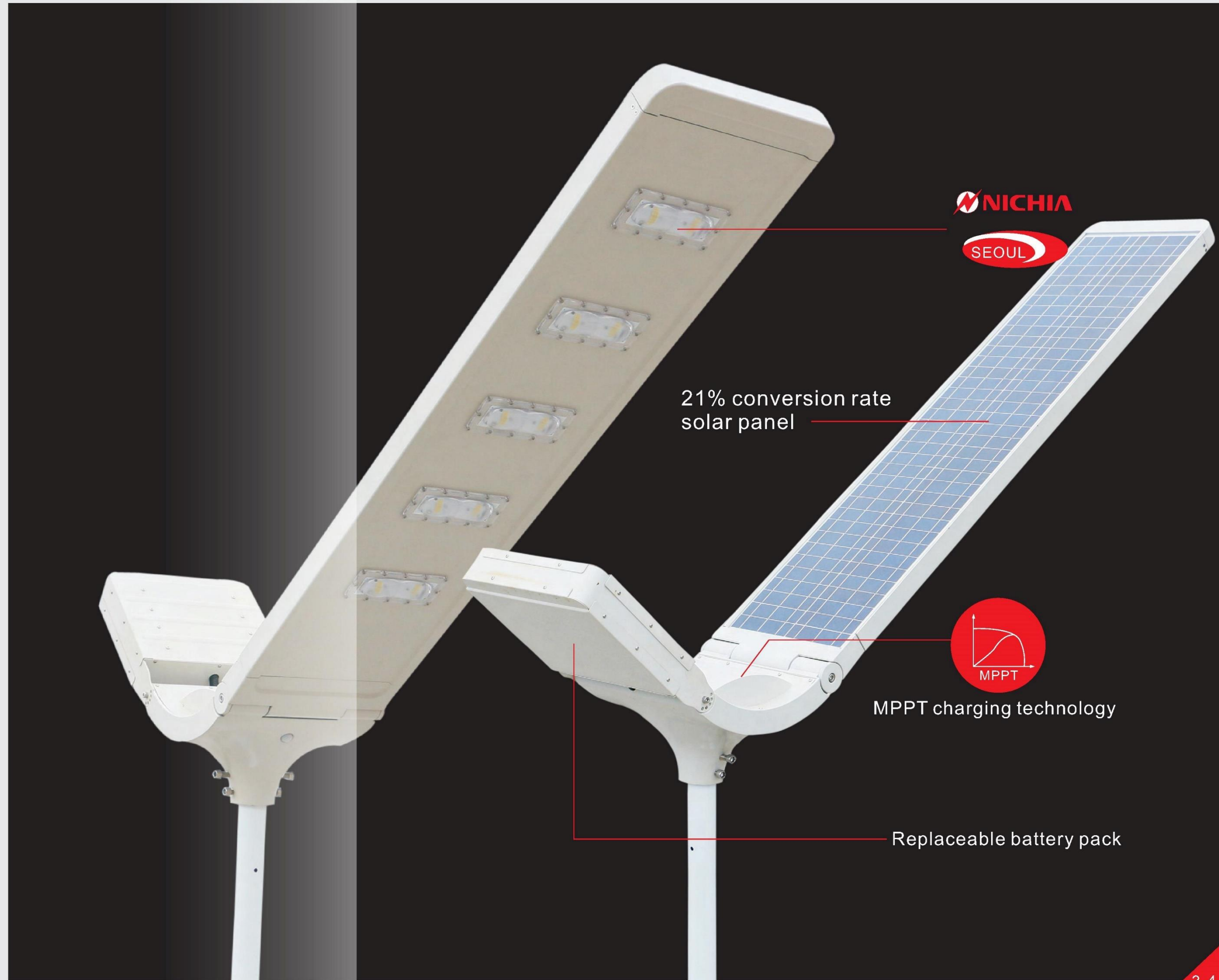
	SPSBS-16	23/24
---	----------	-------



About Battery Backup Series

- IEnergy Management System(EMS):ensure the product can light up every day even at 10 days continuous rainy weather.
- Germany Imported silicon solar panel, Up to 21% conversion rate.
- Suitable to use at 60 centi-degree ambient temperature.
- Ip66 Waterproof, 16 grade wind proof.

Contact: Cady Liu
Office: (561) 430-9251 | Mobile: (973) 960-1877
Email: cady@jamesindustry.com
Website: www.jamesindustry.com



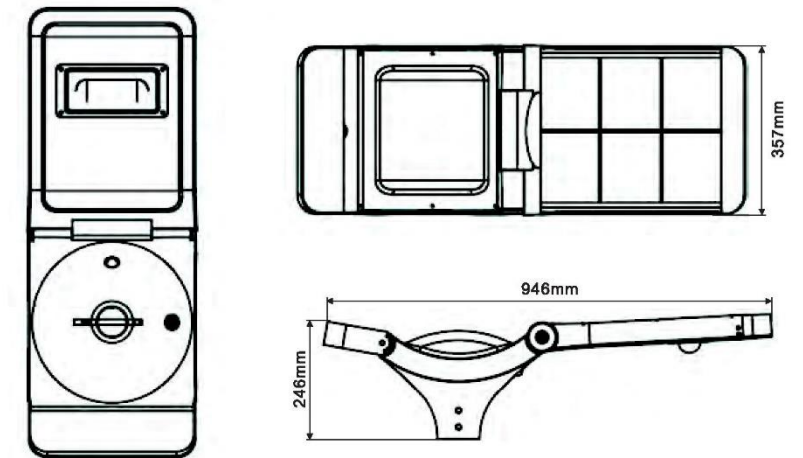
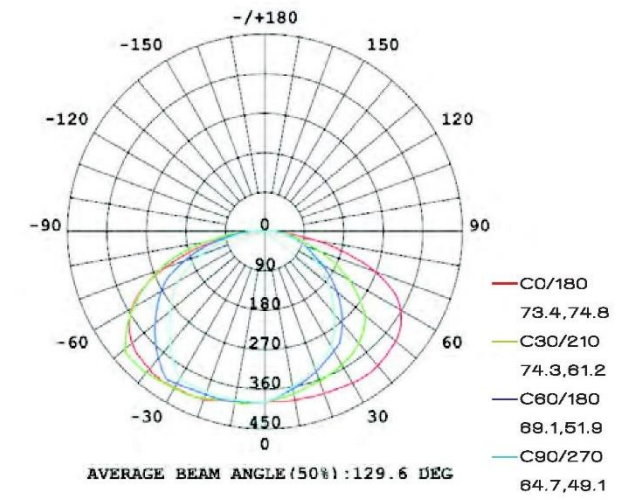
Contact: Cady Liu
 Office: (561) 430-9251
 Mobile: (973) 960-1877
 Email: cady@jamesindustry.com
 Website: www.jamesindustry.com



SPSB-15

1800lumens

Solar Panel	Light Power	Battery	LED CHIP
20W	15W	111 WH	

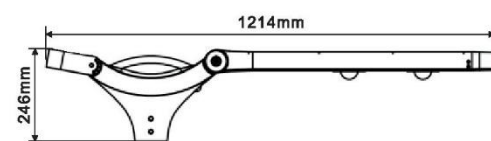
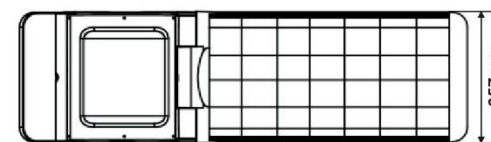
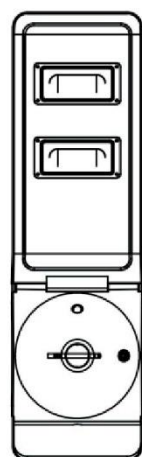
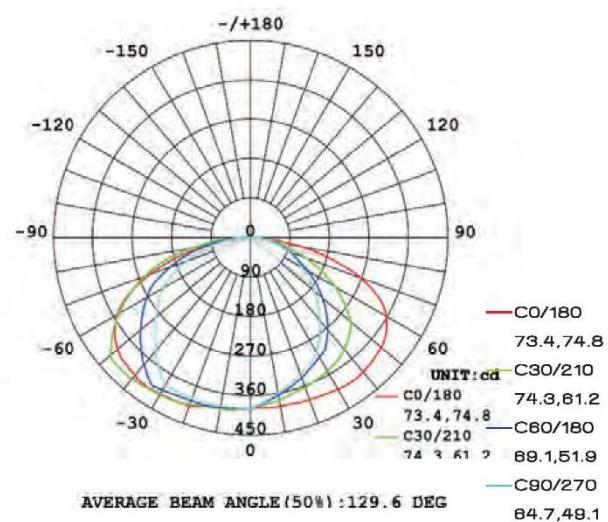


Contact: Cady Liu
 Office: (561) 430-9251
 Mobile: (973) 960-1877
 Email: cady@jamesindustry.com
 Website: www.jamesindustry.com

SPSB-25

3600lumens

Solar Panel	Light Power	Battery	LED CHIP
35W	25W	222WH	 



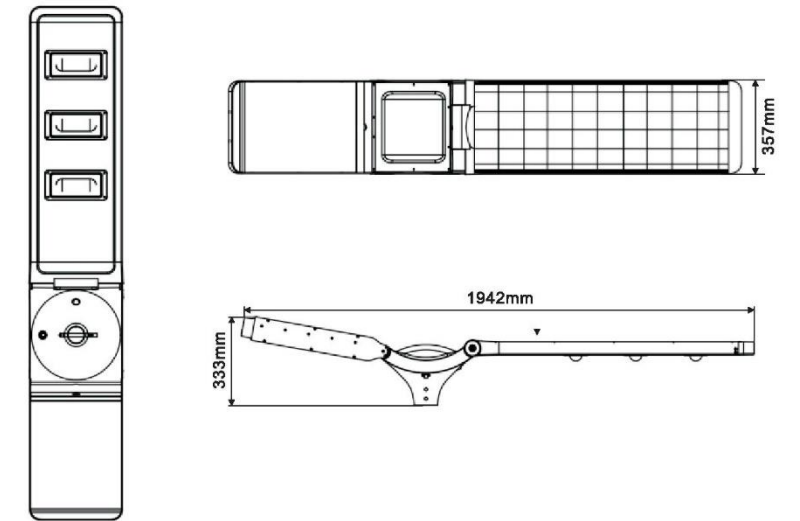
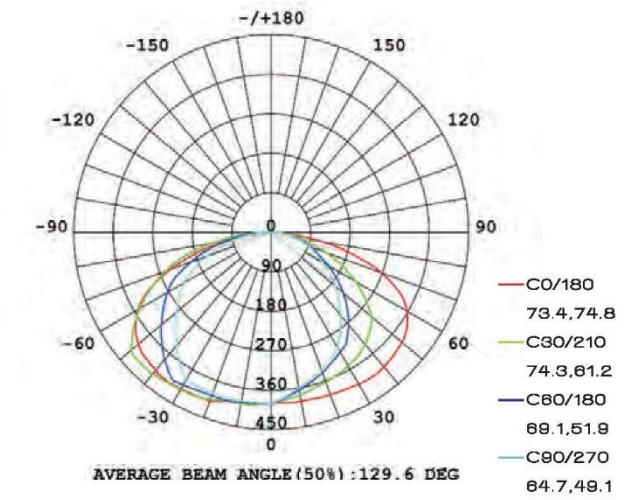
Contact: Cady Liu
 Office: (561) 430-9251
 Mobile: (973) 960-1877
 Email: cady@jamesindustry.com
 Website: www.jamesindustry.com



SPSB-35

5400lumens

Solar Panel	Light Power	Battery	LED CHIP
55W	35W	388.5WH	 




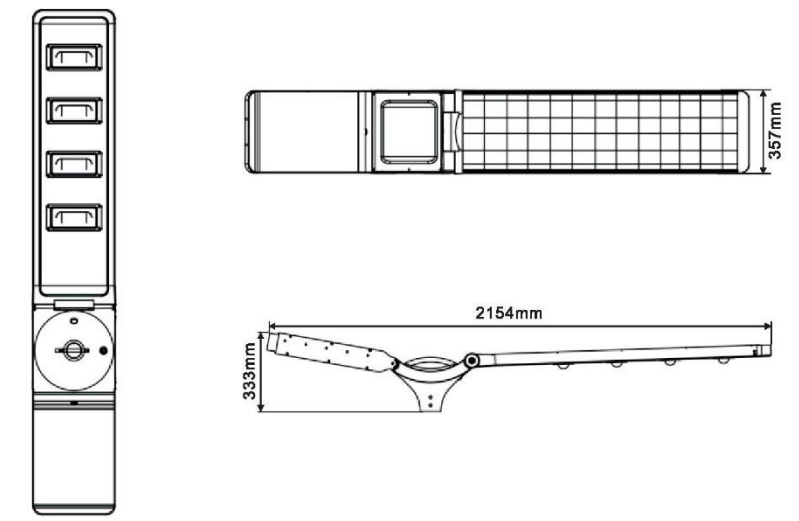
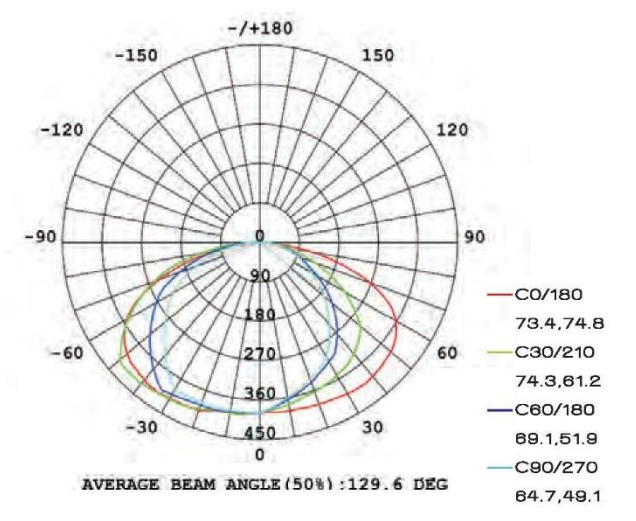
Contact: Cady Liu
 Office: (561) 430-9251
 Mobile: (973) 960-1877
 Email: cady@jamesindustry.com
 Website: www.jamesindustry.com



SPSB-45

7200lumens

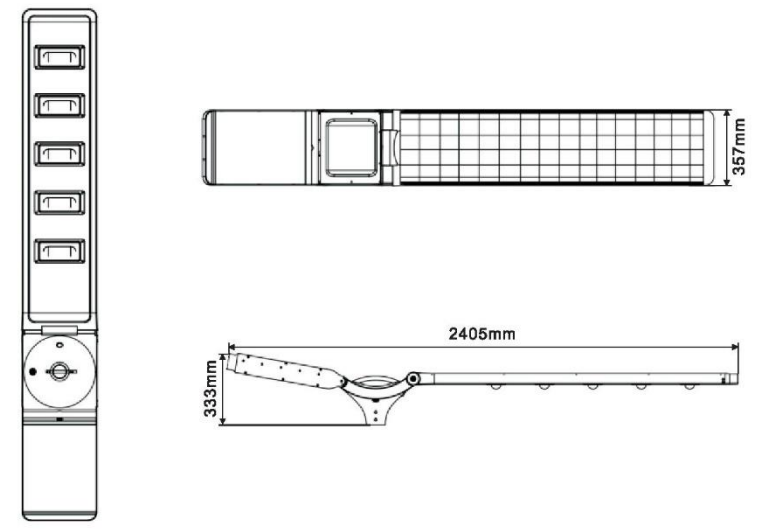
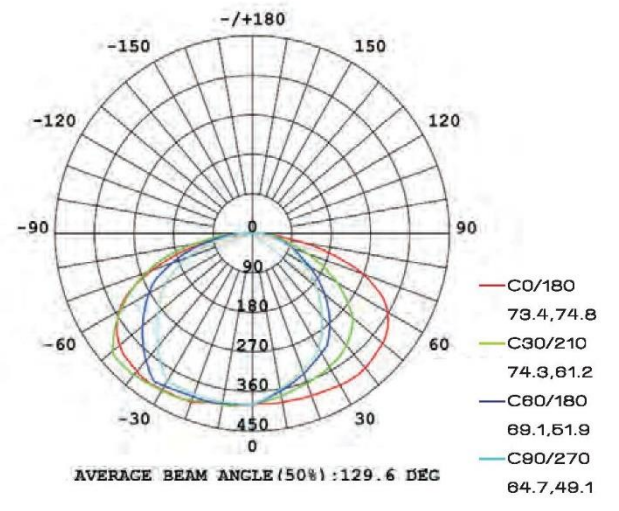
Solar Panel	Light Power	Battery	LED CHIP
60W	45W	444WH	 



Contact: Cady Liu
 Office: (561) 430-9251
 Mobile: (973) 960-1877
 Email: cady@jamesindustry.com
 Website: www.jamesindustry.com

SPSB-60 9400lumens

Solar Panel	Light Power	Battery	LED CHIP
80W	60W	583WH	 



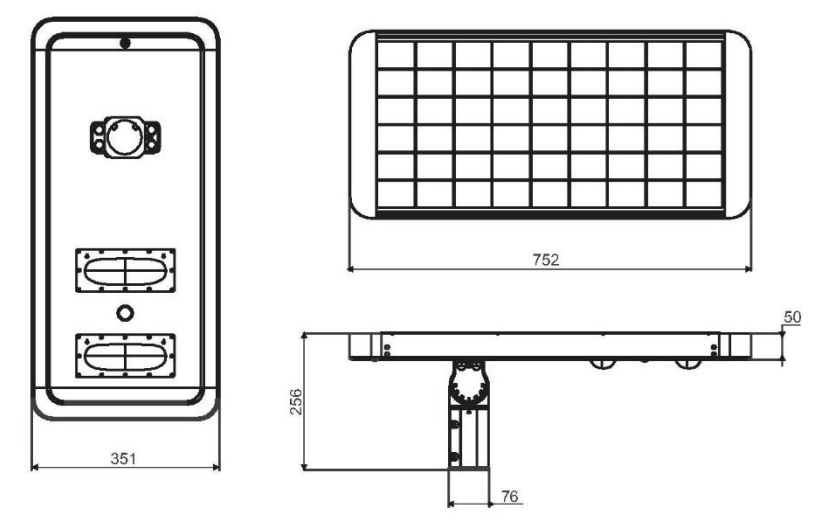
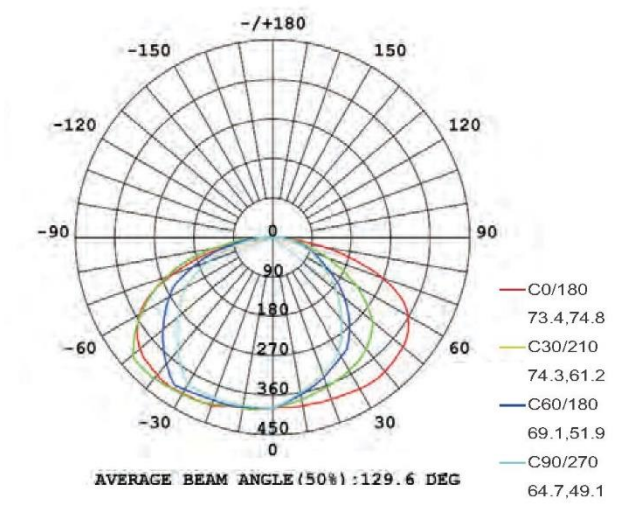
Contact: Cady Liu
 Office: (561) 430-9251
 Mobile: (973) 960-1877
 Email: cady@jamesindustry.com
 Website:
www.jamesindustry.com

Battery Backup Series



SPSEB-25 3600lumens

Solar Panel	Light Power	Battery	LED CHIP
35W	25W	222WH	 

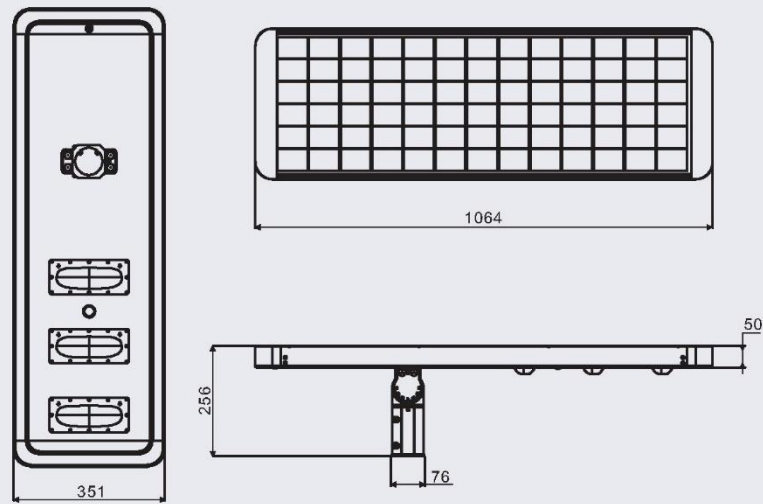
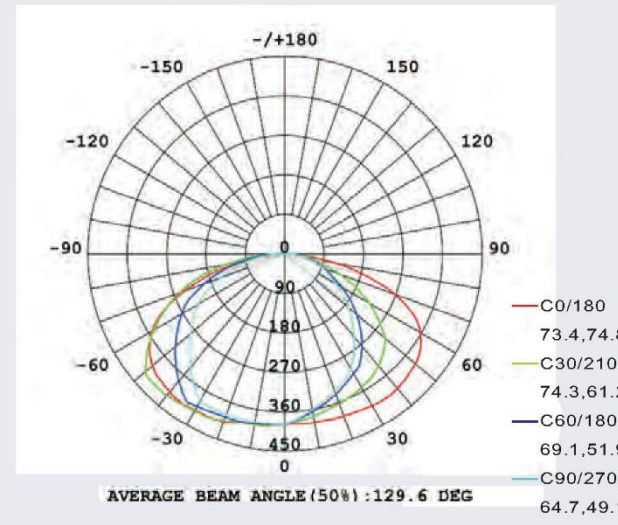


Contact: Cady Liu
 Office: (561) 430-9251
 Mobile: (973) 960-1877
 Email: cady@jamesindustry.com
 Website: www.jamesindustry.com

SPSEB-35

5400lumens

Solar Panel	Light Power	Battery	LED CHIP
55W	35W	388.5WH	



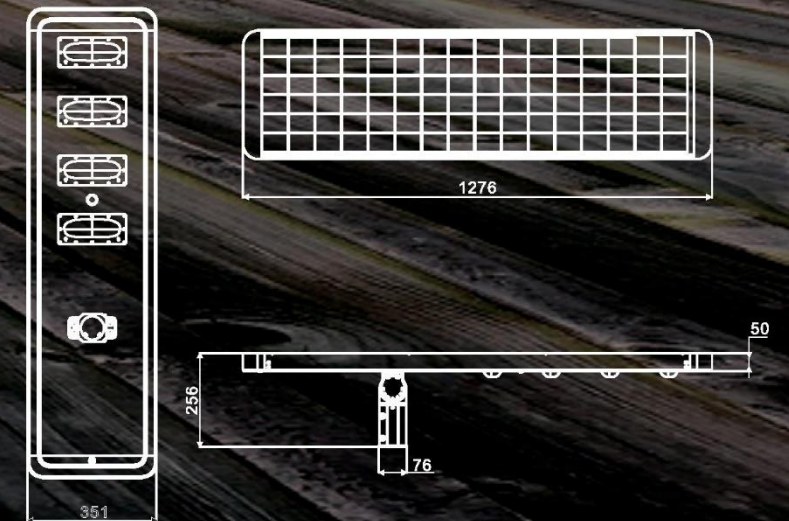
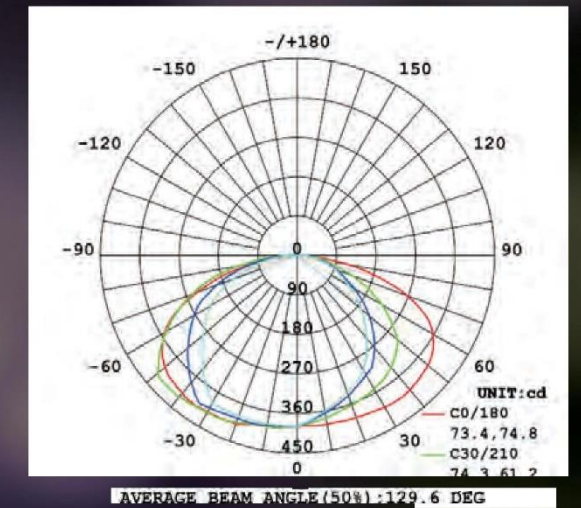
Contact: Cady Liu
 Office: (561) 430-9251
 Mobile: (973) 960-1877
 Email: cady@jamesindustry.com
 Website: www.jamesindustry.com



SPSEB-45


7200lumens

Solar Panel	Light Power	Battery	LED CHIP
60W	45W	444WH	 

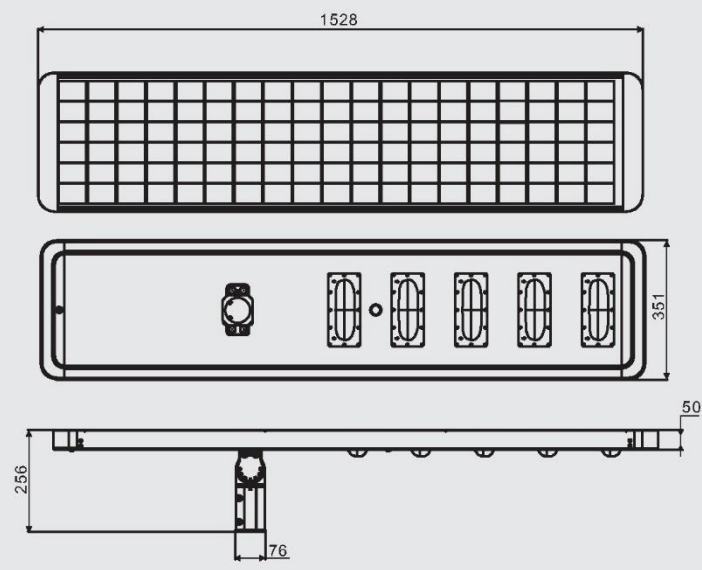
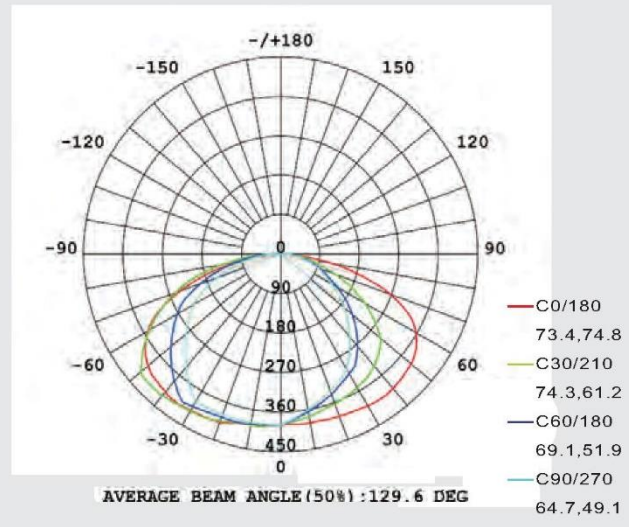


SPSEB-60

9400lumens

Solar Panel	Light Power	Battery	LED CHIP
80W	60W	583WH	

Contact: Cady Liu
Office: (561) 430-9251
Mobile: (973) 960-1877
Email: cady@jamesindustry.com
Website: www.jamesindustry.com



Contact: Cady Liu
Office: (561) 430-9251
Mobile: (973) 960-1877
Email: cady@jamesindustry.com
Website:
www.jamesindustry.com


BS Series



360 Degree Light Distribution

SOLAR
GARDEN
LIGHT

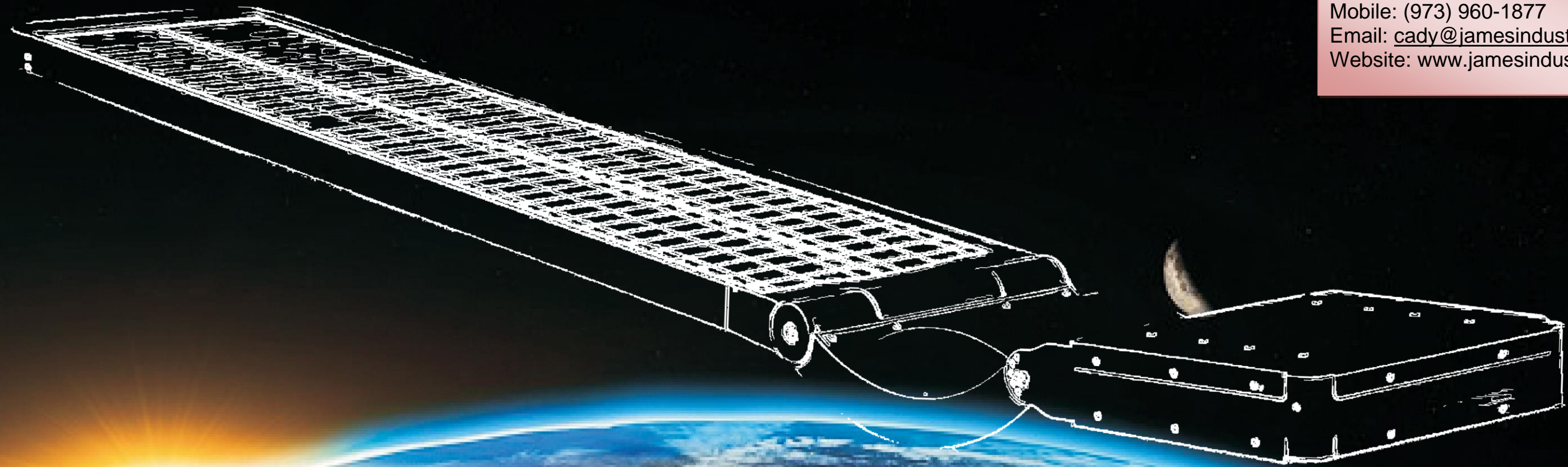
SPSBS-16 2500lumens

Solar Panel	Light Power	Battery	LED CHIP
25W	16W	138.8WH	 

Overall size
500*250mm

Solar panel size
452mm

Contact: Cady Liu
Office: (561) 430-9251
Mobile: (973) 960-1877
Email: cady@jamesindustry.com
Website: www.jamesindustry.com



Solar Street Light

All in one

One Stop Road Lighting Solution