

# ALL IN ONE SOLAR STREETLIGHT SPECIFICATION (SPSB-T SERIES)



SASO

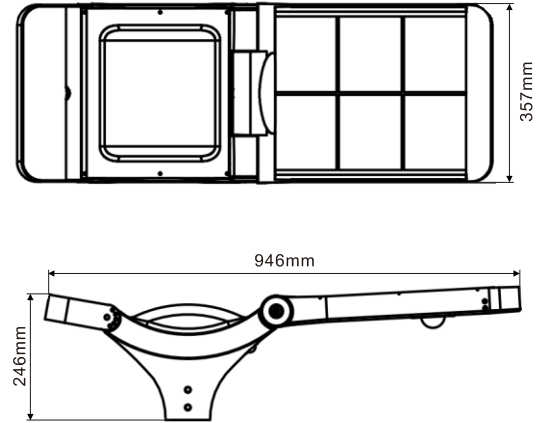
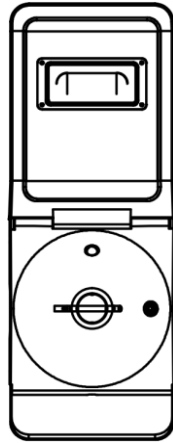
IP66



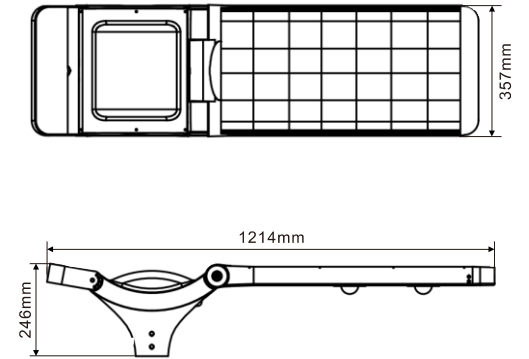
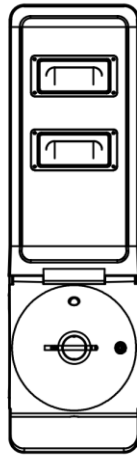
Product Name	SPSB-T Series
Version Number	A version
Valid From	2017 / 10 / 1

# Product Appearance

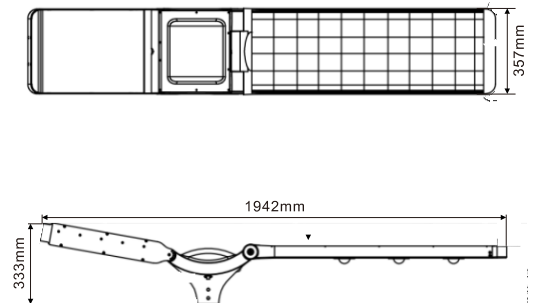
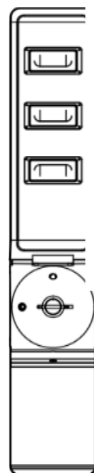
SPSB-15-T



SPSB-25-T

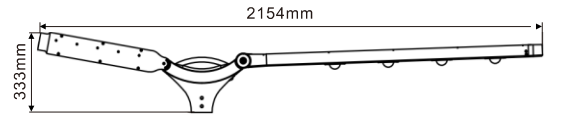
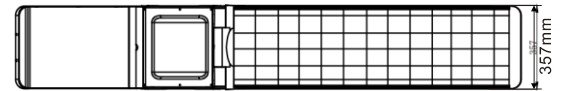


SPSB-35-T

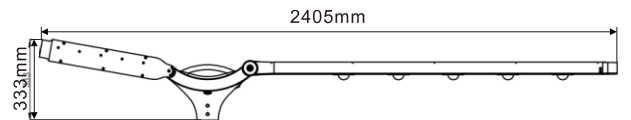
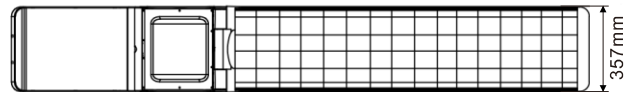


# Product Appearance

SPSB-45-T



SPSB-60-T



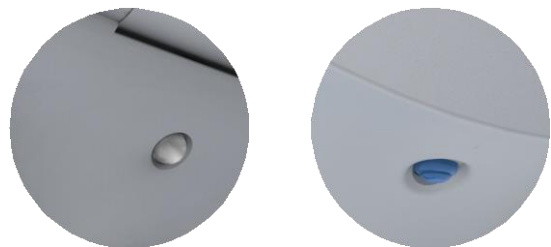
# Features

- ◆ Unique Innovative Design, unique lens
- ◆ Germany Imported solar panel
- ◆ High Efficacy Lumileds chips
- ◆ Intelligent PIR motion sensor
- ◆ Battery pack replaceable without opening the lamp
- ◆ Angle adjustable 0 degree, 15degree, 30degree, to 45 degree
- ◆ All in one aviation aluminum extruded housing, strong overall structure
- ◆ Battery separated from lamp body, no heat from light source will affect the battery, ensure longer battery life



Battery separated from lamp body, no heat from light source will affect the battery, ensure longer battery life

Intelligent controller can fit PIR sensor or microwave sensor, ensure the effective lighting



Lamp angle can be adjusted from 0 degree, 15degree, 30degree, to 45 degree

# Parameters

Model	SPSB-15-T	SPSB-25-T	SPSB-35-T	SPSB-45-T	SPSB-60-T
Power	15w	25w	35w	45w	60w
Solar panel	20w	35w	55w	60w	80W
Battery	111WH	222WH	388.5WH	444WH	583WH
	1800LM	3600LM	5400LM	7200LM	9000LM
Operating time	First 3H: 9H in dim PIR sensor activated,500lm sensor not activated)	First 3H: 9H in dim PIR sensor activated, 700lm sensor not activated)	First 3H: 9H in dim PIR sensor activated, 1000lm sensor not	First 3H: 9H in dim PIR sensor activated, 1500lm sensor not	First 3H: 9H in dim PIR sensor activated, 2000lm sensor not
Back up time	3 Nights	3 Nights	3 Nights	3 Nights	3 Nights
Waterproof rate					
Installation height	4~6m	4~6m	4~6m	6~8m	6~8m
CCT	5000K~6500K				
Beam angle	145°x65°				
Adjustable angle	-50°~45°				
Solar panel conversion rate	≥ 18%				
Operating temperature	-10°C ~ 60°C				
Charging time	10 to 11 hours				

# Product Weight

Model	SPSB-15-T	SPSB-25-T	SPSB-35-T	SPSB-45-T	SPSB-60-T
G.W(KGS)	15.8	19.15	28.75	30.83	34.06
N.W(KGS)	16.8	20.65	30.75	33	36.5

# Applications

Widely used in the road, street, and factory, park road, rural, mountainous area and the remote area lighting project, courtyard, schools, square and other need to place for outdoor lighting.

