

# ALL IN ONE SOLAR STREET LIGHT SPECIFICATION (SPSEB SERIES)



SASO

IP66



Product Name	SPSEB Series
Version Number	A version
Valid From	2018 / 1 / 01

# Parameters

Model No	SPSEB-25	SPSEB-35	SPSEB-45	SPSEB-60
LED Chip	Seoul/Nichia			
Color Temperature	5000K-6500K			
Light Output	25W	35W	45W	60W
Light Efficacy	3600lm	5400lm	7200lm	9400lm
Solar Panel Power	35W	55W	60W	80W
Solar Panel (conversion rate)	18%			
Charging Time	10-11 hours(6-7 hours full bright sun)			
Working Time	Bright mode: 18 hours; DIM mode: 36 hours (3 rainy days backup)			
DIM Mode	First 3 hours: full brightness, Last 9 hours in dimmable mode 2500lm with people, 700lm without people)	First 3 hours: full brightness, Last 9 hours in dimmable mode 4000lm with people, 1000lm without people)	First 3 hours: full brightness, Last 9 hours in dimmable mode 5000lm with people, 1500lm without people)	First 3 hours: full brightness, Last 9 hours in dimmable mode (6000lm with people, 2000lm without people)
Beam Angle	157*60 degree			
Lamp Angle	Adjustable multiple angles			
Recommended Installation Height	4-6 meters	4-6 meters	6-8 meters	8-10 meters
Recommended Installation Distance	25 meters			
Required Pole Size	60mm(top end)			
Battery	222WH	388.5WH	444WH	583WH
Working Temperature	-20 degree to 60 degree			

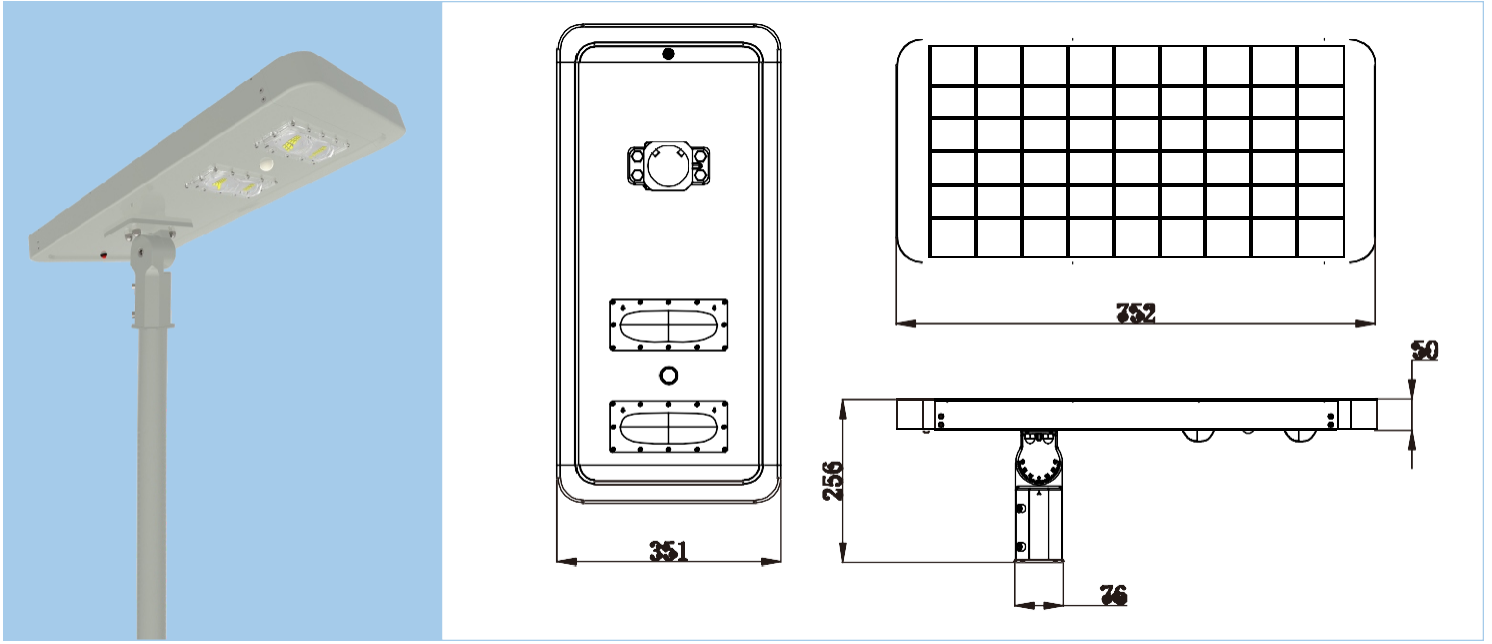
# Features

- ◆ Unique design, strong extruded lampbody;
- ◆ 60 C high temperature protected, replaceable solar battery pack;
- ◆ Germany Imported, 18% conversion rate solar panel;
- ◆ Adjustable multiple installation angles
- ◆ 180lm/W high lumen Seoul/Nichia LED chip, 157\*60 degree wide beam angle;
- ◆ 3 nights rainy days backup, programmable DIM mode brightness.

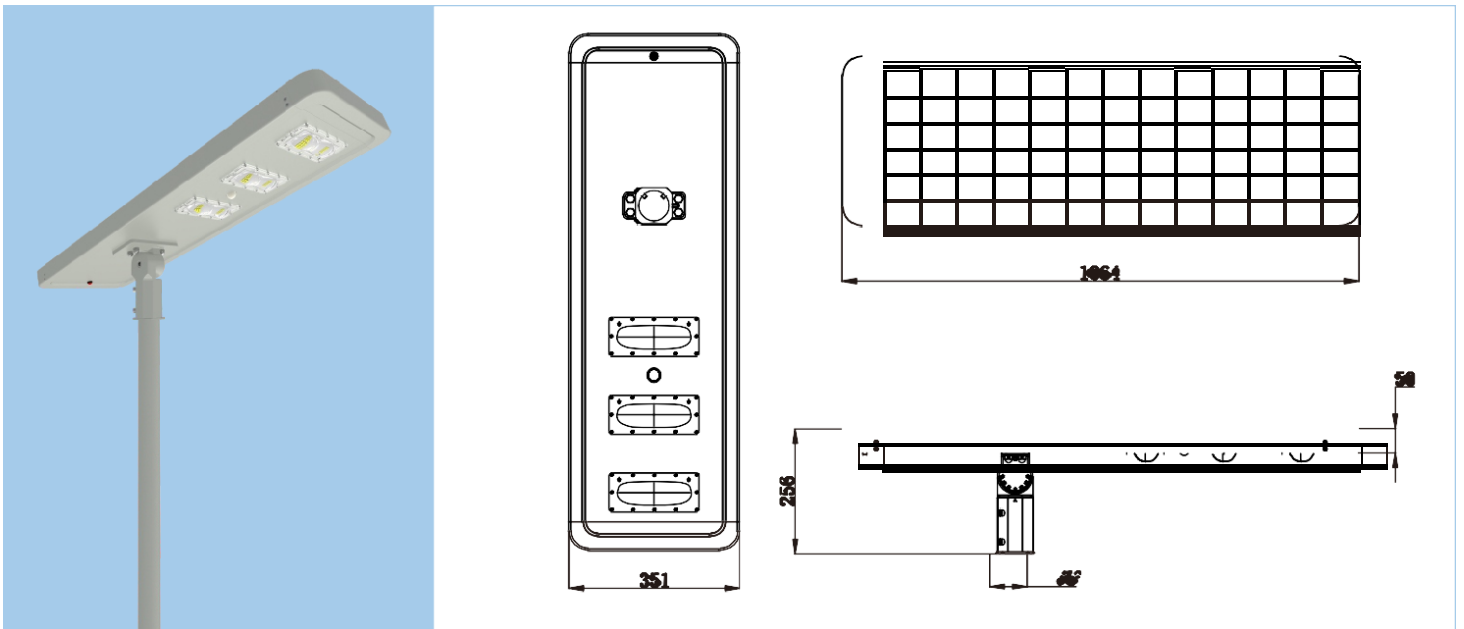


# Product Appearance

SPSEB-25

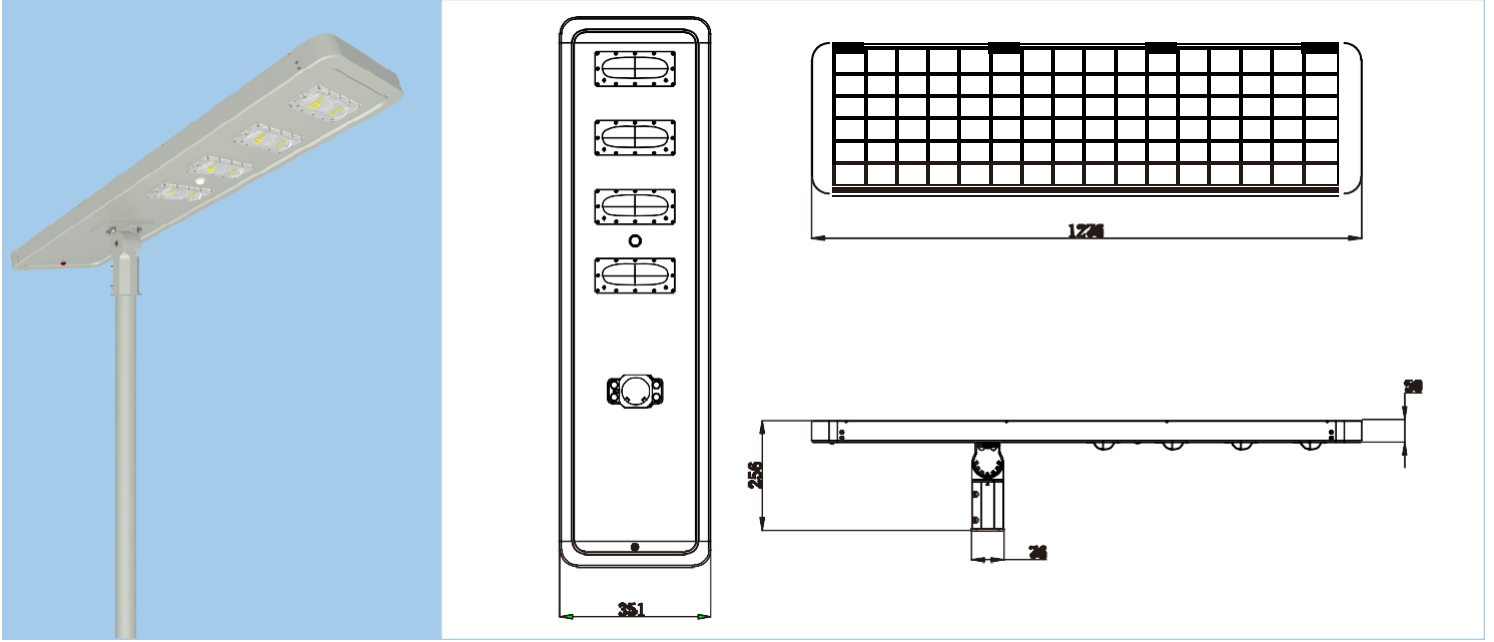


SPSEB-35

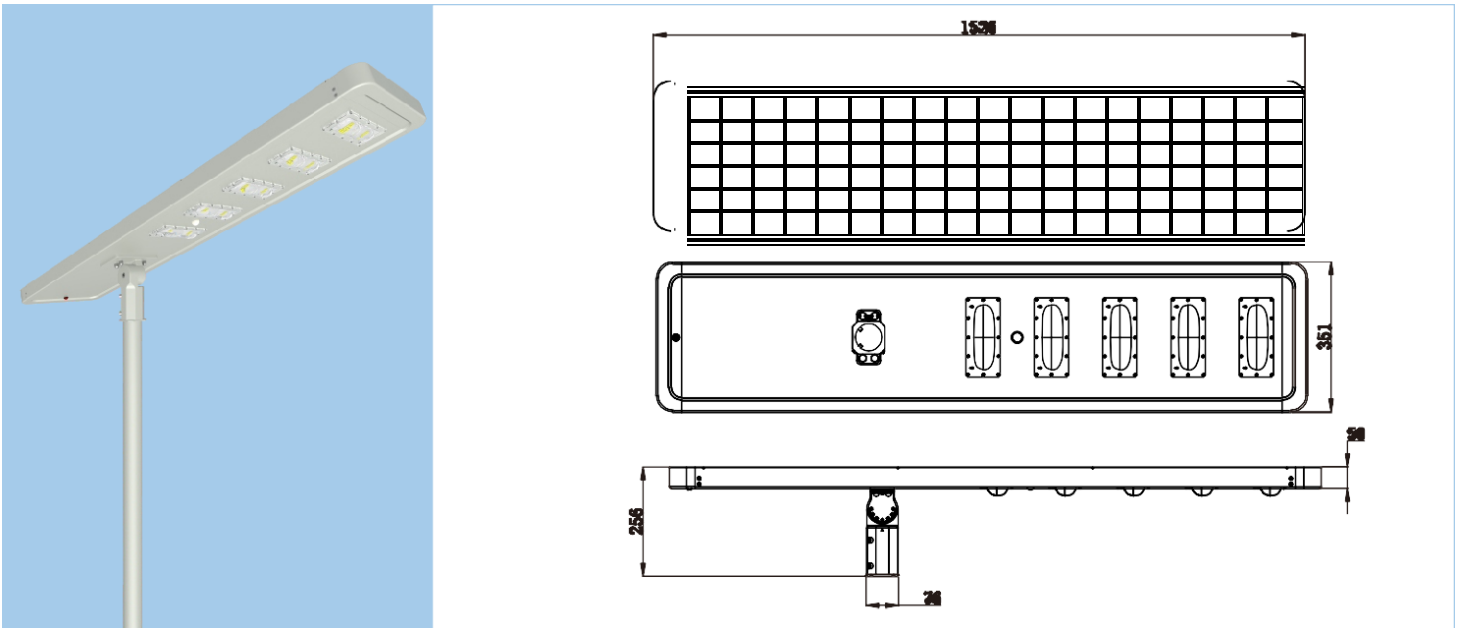


# Product Appearance

SPSEB-45



SPSEB-60



# Applications

Widely used in the road, street, and factory, park road, rural, mountainous area and the remote area lighting project, courtyard, schools, square and other need to place for outdoor lighting.

