

PRODUCT DESCRIPTION

The 2X2FT LED troffers are delivering high Lumen of exceptional 80+ CRI light while achieve 110 lumens per watt. It is available in 4000k, 5000k DLC CCT options and 0-10V dimming, which is perfect for new construction applications or retrofitting existing fluorescent troffer fixtures with recessed installation, widely used in office spaces, major retail stores, education, government, healthcare, and hospitality.

PRODUCT SPECIFICATIONS

• LED Chip

Use approved LM-80 SMD packing, Active color management maintains superior color consistency over time and temperature. Every fixture is tuned as a complete system to the optimal color point before shipment, ensuring fixture-to-fixture color consistency.

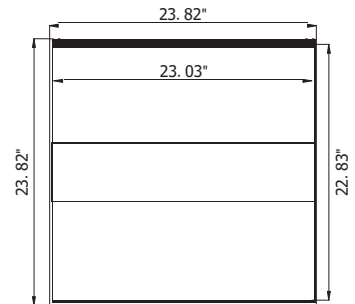
• Construction:

Steel , commercial quality paint coating .
 Bigger size MCPCB for better thermal management, by separating heat dissipation to reduce the weight of the lamp heat sinking.
 IP Rating: Ip20
 Additional zhaga standard mounting hole.

• Optical System

Central lens door enables convenience of PCBA's replacing.
 With double diffusion material, surface brightness even.
 With a mask to prevent glare.
 High optical grade lens providing good efficiency and impact resistance.

2'X2'



ORDER INFORMATION

EXAMPLE:T4D-27W-XXX

Product category	Size	Dimming	Fixture wattage	CCT	CRI(E)
T	4=2'X2'	D=0-10v Dimming	27W=27W 40W=40W	40=4000k 50=5000k	E=80 CRI

120-347V input options
 All models with emergency backup options

PERFORMANCE SUMMARY

Efficacy: 100LPW
Delivered Light Output: 2700lm
Input Power: 27Watts
CRI: Ra>80
DLC CCT: 4000K/5000K
Input Voltage: 100-277 VAC
Input current: 0.10 -0.27A
THD: <20%(at 277V)
Power Factor: >0.9(277V)
Diver output: DC36V 0.65A
Standard Warranty: 5 Years
Standard Lifetime: Designed to L70 minimum 50,000 hours
Mounting: Recessed
0-10V dimming (20%-100% smooth dimming)
Optional Function: Motion Sensor Available
Signal Current: 1.14mA
Dimensions: L 23.8" x W 23.8" x H 3.9"
Recommended Dimmers: DIVA-DVTV(LUTRON),NOVA T NTSTV-DV(LUTRON), IP710-DL(LEVITON)
Fixture measurement and weight are estimated. Contact your James Representative for exact data.

REGULATORY & VOLUNTARY QUALIFICATIONS

ETL Listed	Yes
cUL US Listed	E360437
DLC Qualifications	Yes
LM79 Report	Yes
Damp Rated	Yes

ZONAL FLUX DIAGRAM

T	C0	C45	C90	C135	C180	C225	c270	c315
10	1441	1440	1436	1446	1454	1443	1431	1438
20	1279	1332	1342	1346	1318	1343	1333	1326
30	899.1	1056	1190	1076	948.7	1080	1176	1045
40	574.1	702.6	944.1	719.8	608.9	723.4	930.0	689.5
50	381.8	428.9	602.3	444.3	408.7	443.3	595.6	423.2
60	259.6	266.5	338.3	279.3	282.2	278.2	330.3	261.5
70	153.3	156.6	177.6	167.9	172.1	165.8	173.0	154.5
80	54.77	66.45	79.18	73.74	68.87	72.60	75.08	64.41
90	0	0.0014	0.0880	0.2290	0.4952	0	0	0
DEG	LUMINOUS INTENSITY:cd							

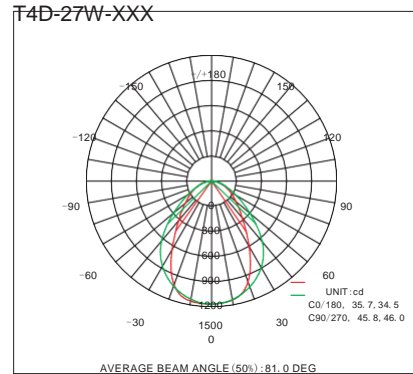
COEFFICIENTS OF UTILIZATION

ppc	80%				70%				50%				30%				10%				0
	50%	30%	10%	50%	30%	10%	50%	30%	10%	50%	30%	10%	50%	30%	10%	50%	30%	10%	0		
pw	20%																0				
pfc	20%																0				
RCR	RCR:Room Cavity Ratio (CU)																				
0.0	119	119	119	116	116	116	111	111	111	111	106	106	106	102	102	102	100	100	100		
1.0	106	102	99	104	101	98	100	97	95	96	94	92	92	91	89	87	87	87	87		
2.0	95	89	84	93	87	83	89	85	81	86	82	79	83	80	77	75	75	75	75		
3.0	85	77	72	83	76	71	80	75	70	78	73	69	75	71	68	66	66	66	66		
4.0	76	68	62	75	68	62	73	66	61	70	65	60	68	64	60	58	58	58	58		
5.0	69	61	55	68	60	55	66	59	54	64	58	54	62	57	53	51	51	51	51		
6.0	63	55	49	62	54	49	60	54	48	59	53	48	57	52	48	46	46	46	46		
7.0	58	50	44	57	49	44	56	49	44	54	48	43	53	47	43	41	41	41	41		
8.0	53	45	40	53	45	40	51	45	40	50	44	39	49	43	39	38	38	38	38		
9.0	49	42	37	49	41	36	48	41	36	47	40	36	46	40	36	34	34	34	34		
10.0	46	38	34	45	38	33	44	38	33	43	37	33	43	37	33	31	31	31	31		

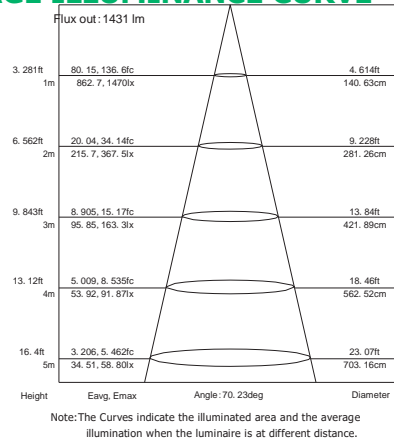
PHOTOMETRY

Fixture photometry has been conducted accredited testing laboratory in accordance with IESNA LM-79-08. IESNA LM-79-08 specifies the entire luminaire as the source resulting in a fixture efficiency of 100%. Result may vary per actual order.

LUMINOUS INTENSITY DISTRIBUTION DIAGRAM



AVERAGE ILLUMINANCE CURVE



ZONAL LUMEN SUMMARY

T	φ zone	φ total	lum, lamp
0-10	138.9	138.9	4.94
10-20	393.7	532.6	19
20-30	554.0	1087	38.7
30-40	560.0	1647	58.6
40-50	458.6	2105	74.9
50-60	331.2	2436	86.7
60-70	219.9	2656	94.5
70-80	122.2	2778	98.9
80-90	31.01	2809	100
UNIT:lm			

PERFORMANCE SUMMARY

- Efficacy: 110LPW
- Delivered Light Output: 4400lm
- Input Power: 40Watts
- CRI: Ra>80
- DLC CCT: 4000K/5000K
- Input Voltage: 100-277 VAC
- Input current: 0.14-0.4A
- THD:<20%(at 277V)
- Power Factor: >0.9(277V)
- Diver output: DC36V 1A
- Standard Warranty: 5 Years
- Standard Lifetime: Designed to L70 minimum 50,000 hours
- Mounting: Recessed
- 0-10V dimming (20%-100% smooth dimming)
- Optional Function:Motion Sensor Available
- Signal Current:0.38mA
- Dimensions: L 23.8" x W 23.8" x H 3.9"
- Recommended Dimmers: DIVA-DVTV(LUTRON),NOVA T NTSTV-DV(LUTRON)

Fixture measurement and weight are estimated. Contact your James Representative for exact data.

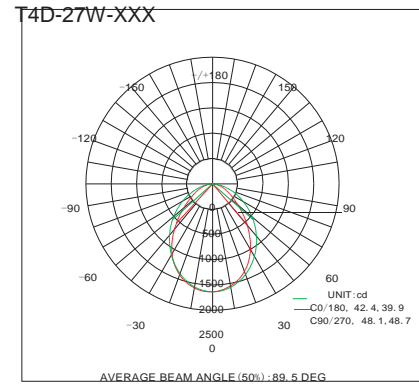
REGULATORY & VOLUNTARY QUALIFICATIONS

- ETL Listed Yes
- cUL US Listed E360437
- DLC Qualifications Yes
- LM79 Report Yes
- Damp Rated Yes

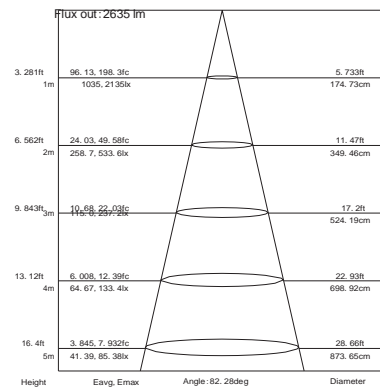
PHOTOMETRY

Fixture photometry has been conducted accredited testing laboratory in accordance with IESNA LM-79-08. IESNA LM-79-08 specifies the entire luminaire as the source resulting in a fixture efficiency of 100%. Result may vary per actual order.

LUMINOUS INTENSITY DISTRIBUTION DIAGRAM



AVERAGE ILLUMINANCE CURVE



ZONAL FLUX DIAGRAM

T	C0	C45	C90	C135	C180	C225	c270	c315
10	2049	2060	2074	2082	2088	2080	2067	2056
20	1842	1881	1905	1915	1912	1906	1885	1867
30	1495	1591	1654	1654	1601	1630	1627	1580
40	1063	1221	1350	1306	1175	1277	1325	1218
50	663.0	841.1	1024	922.9	749.1	892.9	1004	843.1
60	387.1	512.9	700.7	578.3	445.9	552.0	684.5	518.2
70	208.6	253.9	401.3	300.9	251.7	282.4	386.3	254.9
80	63.07	77.62	143.5	104.4	97.58	95.02	131.2	74.11
90	0	0	0.1430	0.7476	1.267	0	0.0546	0

LUMINOUS INTENSITY:cd

ZONAL LUMEN SUMMARY

T	φ zone	φ total	μlum, lamp
0-10	200.5	200.5	4.4
10-20	560.7	761.2	16.7
20-30	808.2	1569	34.4
30-40	892.7	2462	54
40-50	813.0	3275	71.8
50-60	628.1	3903	85.6
60-70	410.9	4314	94.6
70-80	202.6	4517	99
80-90	41.70	4558	100

UNIT:lm

COEFFICIENTS OF UTILIZATION

ppc	80%			70%			50%			30%			10%			0
pw	50%	30%	10%	50%	30%	10%	50%	30%	10%	50%	30%	10%	50%	30%	10%	0
pfc	20%			20%			20%			20%			20%			0
RCR	RCR:Room Cavity Ratio (CU)															
0.0	119	119	119	116	116	116	111	111	111	106	106	106	102	102	102	100
1.0	106	102	99	104	100	97	100	97	94	96	93	91	92	90	88	86
2.0	94	88	82	93	86	81	89	85	80	85	81	78	82	79	76	74
3.0	83	76	70	83	75	69	80	75	68	76	71	67	74	69	66	64
4.0	75	67	60	75	66	60	73	66	59	69	63	58	67	62	58	56
5.0	67	59	53	68	58	53	66	59	52	62	56	51	60	55	51	49
6.0	61	53	47	62	52	47	60	54	46	57	51	46	55	50	45	43
7.0	56	48	42	57	47	42	56	49	41	52	46	41	51	45	41	39
8.0	51	43	38	53	43	37	51	45	37	48	42	37	47	41	37	35
9.0	47	39	34	49	39	34	48	41	34	44	38	34	43	38	34	32
10.0	44	36	31	45	36	31	44	38	31	41	35	31	40	35	31	29

PERFORMANCE SUMMARY

- Efficacy: 110LPW
- Delivered Light Output: 4400lm
- Input Power: 40Watts
- CRI: Ra>80
- DLC CCT: 4000K/5000K
- Input Voltage: 120-347 VAC
- Input current: 0.50A
- THD: <20%(at 480V)
- Power Factor: >0.9(480V)
- Diver output: DC36V 1A
- Standard Warranty: 5 Years
- Standard Lifetime: Designed to L70 minimum 50,000 hours
- Mounting: Recessed
- 0-10V dimming (20%-100% smooth dimming)
- Signal Current: 1.5mA
- Dimensions: L 23.8" x W 23.8" x H 3.9"
- Recommended Dimmers: DIVA-DVTV(LUTRON),IP710-DL(LEVITON)

Fixture measurement and weight are estimated. Contact your James Representative for exact data.

REGULATORY & VOLUNTARY QUALIFICATIONS

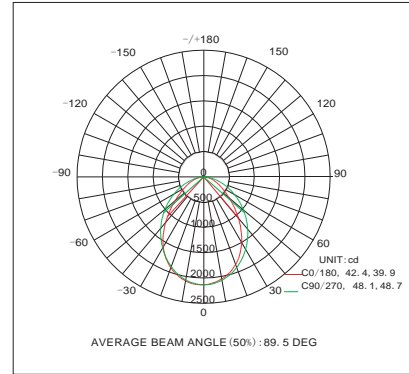
ETL Listed	Yes
cUL US Listed	E360437
LM79 Report	Yes
Damp Rated	Yes

PHOTOMETRY

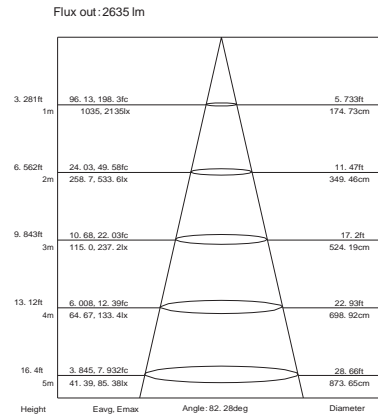
Fixture photometry has been conducted accredited testing laboratory in accordance with IESNA LM-79-08. IESNA LM-79-08 specifies the entire luminaire as the source resulting in a fixture efficiency of 100%.Result may vary per actual order.

LUMINOUS INTENSITY DISTRIBUTION DIAGRAM

T4D-40W-XXX



AVERAGE ILLUMINANCE CURVE



Note: The Curves indicate the illuminated area and the average illumination when the luminaire is at different distance.

ZONAL FLUX DIAGRAM

T	C0	C45	C90	C135	C180	C225	c270	c315
10	2049	2060	2074	2082	2088	2080	2067	2056
20	1842	1881	1905	1915	1912	1906	1885	1867
30	1495	1591	1654	1654	1601	1630	1627	1580
40	1063	1221	1350	1306	1175	1277	1325	1218
50	663.0	841.1	1024	922.9	749.1	892.9	1004	843.1
60	387.1	512.9	700.7	578.3	445.9	552.0	684.5	518.2
70	208.6	253.9	401.3	300.9	251.7	282.4	386.3	254.9
80	63.07	77.62	143.5	104.4	97.58	95.02	131.2	74.11
90	0	0	0.1430	0.7476	1.267	0	0.0546	0
DEG	LUMINOUS INTENSITY:cd							

ZONAL LUMEN SUMMARY

T	φ zone	φ total	lum, lamp
0-10	200.5	200.5	4.4
10-20	560.7	761.2	16.7
20-30	808.2	1569	34.4
30-40	892.7	2462	54
40-50	813.0	3275	71.8
50-60	628.1	3903	85.6
60-70	410.9	4314	94.6
70-80	202.6	4517	99
80-90	41.70	4558	100
	UNIT:lm		

COEFFICIENTS OF UTILIZATION

ppc	80%			70%			50%			30%			10%			0
pw	50%	30%	10%	50%	30%	10%	50%	30%	10%	50%	30%	10%	50%	30%	10%	0
pfc	20%			20%			20%			20%			20%			0
RCR	RCR:Room Cavity Ratio (CU)															
0.0	119	119	119	116	116	116	111	111	111	106	106	106	102	102	102	100
1.0	106	102	99	104	100	97	100	97	94	96	93	91	92	90	88	86
2.0	94	88	82	93	86	81	89	85	80	85	81	78	82	79	76	74
3.0	83	76	70	83	75	69	80	75	68	76	71	67	74	69	66	64
4.0	75	67	60	75	66	60	73	66	59	69	63	58	67	62	58	56
5.0	67	59	53	68	58	53	66	59	52	62	56	51	60	55	51	49
6.0	61	53	47	62	52	47	60	54	46	57	51	46	55	50	45	43
7.0	56	48	42	57	47	42	56	49	41	52	46	41	51	45	41	39
8.0	51	43	38	53	43	37	51	45	37	48	42	37	47	41	37	35
9.0	47	39	34	49	39	34	48	41	34	44	38	34	43	38	34	32
10.0	44	36	31	45	36	31	44	38	31	41	35	31	40	35	31	29