

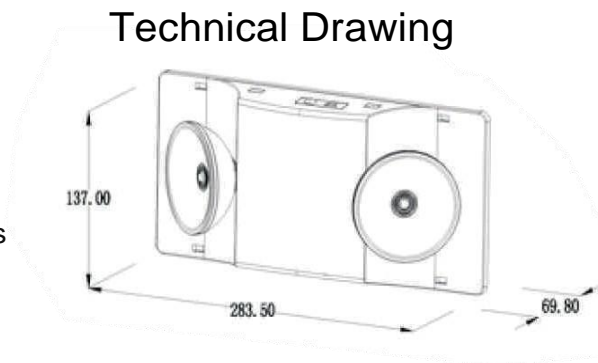
**Twin Spot LED Emergency Light**



**FEATURES**

- LED Type: SMD LED
- Battery Type: Ni-cd
- Working Time: 90 minutes
- Charging Time: 15-24 minutes

**Technical Drawing**



Model No	Power (W)	Lamp Type	Input Voltage	Frequency	Discharge
EXIT-835	0.6W	2x1W LED	120/277VAC	60Hz	90 minutes

**DESCRIPTION**

- Injection-molded thermoplastic A8S housing
- UL-94V-0 flame rating, fire-retardant
- Wall and ceiling mounting
- Input Voltage: 120/277VAC or 120/347VAC 60HZ
- 2x1W lamps for emergency mode
- Nickel Cadmium Battery
- Test switch and charge indicator light
- Overcharge & Over-discharge protection
- Backup time: ≥ 90inutes
- Conversion time: <0.2 second
- IP Class: IP20
- Insulation: II, Range: 80m<sup>2</sup>
- Operating Temperature: 0°C-40°C