

LED AREA LIGHT

Shoe Box Replacement



The LED Area Light is ideal for replacing Shoe Box Lights that are used for illuminating areas and suited for harsh environment applications.



60W/100W

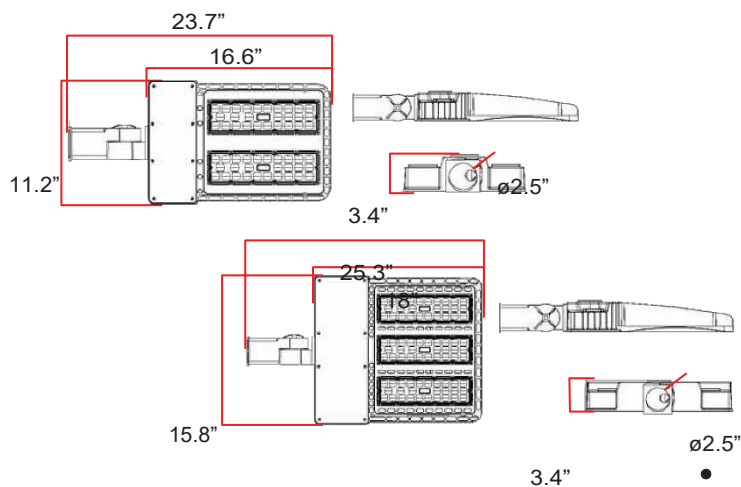


150W/200W



300W

DIMENSIONS



CERTIFICATIONS



FEATURES

- Stainless steel clips
- Optional 100% DR lens additive for impact resistance
- Built-in Constant Current LED Driver with High Efficient LED Module
- Suitable for damp or dry environments
- Excellent light distribution and uniformity
- Suitable for surface mounting
- Stainless Steel Clips
- **Rated IP65**
- 5 Year Manufacturer's Warranty
- Photocell Sensor options available
- Slip fitter, Arm Mount & Trunnion mounting options available

WARRANTY

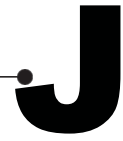
This product has a warranty for a period of 5 years from the date of purchase. The warranty is invalid in the case of improper installation, tampering, or removal of the Q.C. date label. Installation in an improper working environment or installation not according to the current edition of the National Electric Code also invalidates the warranty. Should this product fail during the warranty period, it will be replaced free of charge, subject to correct installation and return of the faulty unit. James® does not accept responsibility for any installation costs associated with the replacement of this product. This warranty is in addition to the statutory rights in the country of purchase. James® reserves the right to alter specifications without prior notice.

COMMON TECHNICAL DATA

| | |
|-----------------------|----------------------------|
| Color Temperature | 3000K-5000K |
| Viewing Angle | Type II, Type III, Type VS |
| Color Consistency | 4 steps |
| CRI | More than 80 |
| Operation Temperature | -20° C to 45°C |
| Efficiency | More than 110LPW |
| Input Voltage | 100-277VAC / 277-480VAC |
| Frequency | 50-60Hz |
| Power Factor | More than 0.99 |
| Rated Life | 50,000 hours |
| LED Type | SMT 2835 |
| Housing | Aluminum |

LED AREA LIGHT

Shoe Box Replacement



PRODUCT SPECIFICATION

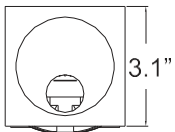
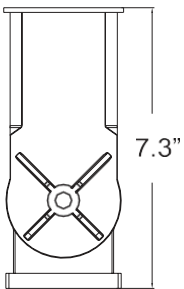
| Product Number | Watt | CCT | Lumens | Housing | Viewing Angle | Dimensions Length x Width x Height |
|----------------|------|-------------|--------|----------|----------------------------|---------------------------------------|
| SB-60W A1N | 60W | 3000K-5000K | 7670 | Aluminum | Type II, Type III, Type VS | 23.7" x 11.2" x 3.4" |
| SB-100W27 A1N | 100W | 3000K-5000K | 11000 | Aluminum | Type II, Type III, Type VS | 23.7" x 11.2" x 3.4" |
| SB-150W27 A2N | 150W | 3000K-5000K | 17300 | Aluminum | Type II, Type III, Type VS | 23.7" x 11.2" x 3.4" |
| SB-200W27 A2N | 200W | 3000K-5000K | 22100 | Aluminum | Type II, Type III, Type VS | 23.7" x 11.2" x 3.4" |
| SB-300W27 A3N | 300W | 3000K-5000K | 39000 | Aluminum | Type II, Type III, Type VS | 25.3" x 15.8" x 3.4" |

ORDERING GUIDE

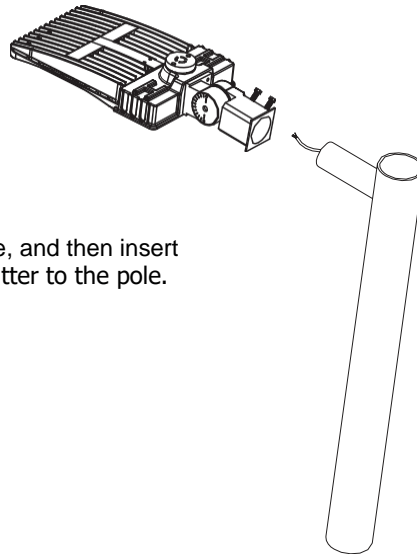
| | | | |
|--------------------|--|--------------------------------------|---|
| SB Product Code | 60W / 100W / 150W / 200W / 300W Wattage | A1N / A2N / A3N Light Bar Modules | 3000K-5000k / T2, T3, T5 Kelvin / Light Distribution |
|--------------------|--|--------------------------------------|---|

MOUNTING GUIDE

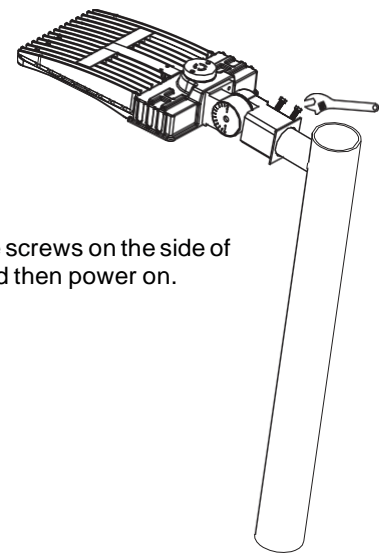
Slip Fitter Mounting:



Step 1
Connect the AC wire, and then insert the arm of the slip fitter to the pole.



Step 2
Tighten the screws on the side of the arm and then power on.



CAUTION

- Avoid fire and electric shock.
- When installing the lighting fixture, please contact an electrician.
- Do not drill holes or change the internal lines when installing.
- Understand the structural features and dimensions of lighting before installation.
- Do not make mass installation before sample testing.