



Fixture Catalogue for Industrial Field and Hazardous Locations

www.everyindustry.com

Safe. Reliable. Efficient.

About EVE

- An US located corporation
Product are manufactured in US with high level engineering and quality control.
- 25 years on industrial field and hazardous location business
Time is the a result proven of high quality and durable reliability of our products.
- A strategic partner of UL, Intertek and PTB
Only work with toppest third party agency to certify all products.
- Worldwide distribution and service system
Global distribution in most of countries offers maximum convenience to customers with prompt delivery, service and maintenance.
- Both saving and safety is our priority
Big achievement of product cost saving, Installation cost saving and energy consumption saving.
Safety is more critical than everything.

Features

- High quality SMT CREE or Philips LED and Meanwell Driver ●
- Light-weight design by aircraft aluminum ●
- Heavy-duty and high impact resistance ●
- Three connection cable entry points ●
- Replaceable LED board and drivers ●
- Integrated junction box for driver with emergency back up ●
- Dimmable and battery back up function available ●
- Marine rating powder coated appearance treatment ●
- 10kV surge protection ●
- Up to ten years limited warranty option ●
- Emergency Battery back up ●
- Working temperature can be more than 85°C ●
- Various installation ways for different applications ●
- Glass lens or Glass with polycarbonate lens to make bigger beam angle ●
- New fixture can start from -60°C and work at 100°C ●



Materials

- ★ Housing: copper free aluminum
 - ★ Lens: glass
 - ★ Hardware: stainless steel
 - ★ Mounting Bracket: stainless steel
-

Applications

Oil and Gas industry

- ★ All petroleum production and refining
 - ★ Petroleum loading and transportation
 - ★ Petroleum storage and retail
 - ★ LNG industry
 - ★ All mining operations and service
-

Chemical industry

- ★ All types of paint facilities
 - ★ Chemical production and storage
-

Ocean, marine and aerospace field

- ★ Ocean platform operation facilities and structure
 - ★ Aerospace clean room and production
 - ★ Ocean vessel operations
-

Metal treatment

- ★ Steel and aluminum factories
 - ★ Pumping stations in any environment
 - ★ Metal smelting, foundry and fabrication
-

Food and alcohol industry

- ★ Flour and fine particle production and storage
 - ★ Food and distilling production
 - ★ Alcohol industry
-

Other high humidity, high dust, high temperature, vapor locations including but not limited to water treatment, mining industry and so on.

Why work with EVE ?

Specialized in Harsh and Hazardous environment products

- ★ EVE's fixtures are designed to harsh and hazardous environments. This products stand up to high temperature, high humidity, high vibration, dense dust, hose down, high shock and impact conditions with long lifespan and high energy efficiency for up to 20 years based on customer requirements.
-

Comprehensive safety approval

- ★ All products are certified by intertek according to UL844 standard for North American market and by PTB for Atex and IECEX for other market out of North American. Most of products are qualified by ABS for shipping industry and API Spec Q1 for oil and gas related industries as well.
-

Easy Installation

- ★ Experienced engineer makes advanced engineering for fast and labor cost saving installation in harsh and hazardous locations. It takes only few minutes for installer to fix the installation in field.
-

Customized Design Options

- ★ Most of the fixtures have various options on optics, beam angles, installation kits, housings, appearance treatments and color temperatures to make difference between customers.
-

Global Service System

- ★ We have offices and distribution partners in including but not limited to North American, Latin American, South Asia, Australia, Middle East, Europe, Russia, Middle Asia and so on.
-

Certificates Table

	UL1598	UL1598A	UI844 (North American)				ATEX/IECEx(Except N.A)		Bureau of Shipping		IP66	IK10	Alloy Enclosure
			Class I Division 1	Class I Division 2	Class II Division 1 & 2	Class III	Zone 1 & 21	Zone 2 & 22	ABS	DNV			
Luminaire													
A series (A,A2,A3)	Green	Yellow		Grey	Orange	Blue	Red	Purple	Grey	Purple	Light Blue	Dark Blue	Dark Grey
B series (B,B2,B3)	Green	Yellow		Grey	Orange	Blue	Red	Purple	Grey	Purple	Light Blue	Dark Blue	Dark Grey
C series (C,C2,C3)	Green	Yellow	Pink	Grey	Orange	Blue	Red	Purple	Grey	Purple	Light Blue	Dark Blue	Dark Grey
D series (D,D2)	Green	Yellow		Grey	Orange	Blue	Red	Purple	Grey	Purple	Light Blue	Dark Blue	Dark Grey
E series	Green	Yellow		Grey	Orange	Blue	Red	Purple	Grey	Purple	Light Blue	Dark Blue	Dark Grey
F series	Green	Yellow	Pink	Grey	Orange	Blue	Red	Purple	Grey	Purple	Light Blue	Dark Blue	Dark Grey
G series	Green	Yellow	Pink	Grey	Orange	Blue	Red	Purple	Grey	Purple	Light Blue	Dark Blue	Dark Grey
H series (H2,H4)	Green	Yellow		Grey	Orange	Blue	Red	Purple	Grey	Purple	Light Blue	Dark Blue	Dark Grey
I series (I2,I4)	Green	Yellow	Pink	Grey	Orange	Blue	Red	Purple	Grey	Purple	Light Blue	Dark Blue	Dark Grey
J series	Green	Yellow		Grey	Orange	Blue	Red	Purple	Grey	Purple	Light Blue	Dark Blue	Dark Grey
L series	Green	Yellow		Grey	Orange	Blue	Red	Purple	Grey	Purple	Light Blue	Dark Blue	Dark Grey
M series (M1,M2)	Green	Yellow		Grey	Orange	Blue	Red	Purple	Grey	Purple	Light Blue	Dark Blue	Dark Grey
N series	Green	Yellow		Grey	Orange	Blue	Red	Purple	Grey	Purple	Light Blue	Dark Blue	Dark Grey
O series	Green	Yellow		Grey	Orange	Blue	Red	Purple	Grey	Purple	Light Blue	Dark Blue	Dark Grey
P series (P1,P2,P4)	Green	Yellow	Pink	Grey	Orange	Blue	Red	Purple	Grey	Purple	Light Blue	Dark Blue	Dark Grey
Q series (Q1,Q2)	Green	Yellow		Grey	Orange	Blue	Red	Purple	Grey	Purple	Light Blue	Dark Blue	Dark Grey
R series (R2,R3,R4)	Green	Yellow	Pink	Grey	Orange	Blue	Red	Purple	Grey	Purple	Light Blue	Dark Blue	Dark Grey
S series (S1,S2)	Green	Yellow		Grey	Orange	Blue	Red	Purple	Grey	Purple	Light Blue	Dark Blue	Dark Grey
T series (T1,T2,T4)	Green	Yellow	Pink	Grey	Orange	Blue	Red	Purple	Grey	Purple	Light Blue	Dark Blue	Dark Grey
U series	Green	Yellow	Pink	Grey	Orange	Blue	Red	Purple	Grey	Purple	Light Blue	Dark Blue	Dark Grey
V series	Green	Yellow		Grey	Orange	Blue	Red	Purple	Grey	Purple	Light Blue	Dark Blue	Dark Grey
W series	Green	Yellow		Grey	Orange	Blue	Red	Purple	Grey	Purple	Light Blue	Dark Blue	Dark Grey
Explosion Proof phone													
RS801							Red	Purple	Grey	Purple	Light Blue	Dark Blue	Dark Grey
RS802							Red	Purple	Grey	Purple	Light Blue	Dark Blue	Dark Grey
RS803							Red	Purple	Grey	Purple	Light Blue	Dark Blue	Dark Grey
Enclosure													
Ex-C01	Green	Yellow	Pink	Grey	Orange	Blue	Red	Purple	Grey	Purple	Light Blue	Dark Blue	Dark Grey
Ex-C02	Green	Yellow	Pink	Grey	Orange	Blue	Red	Purple	Grey	Purple	Light Blue	Dark Blue	Dark Grey
Ex-C03	Green	Yellow	Pink	Grey	Orange	Blue	Red	Purple	Grey	Purple	Light Blue	Dark Blue	Dark Grey
Ex-C04	Green	Yellow	Pink	Grey	Orange	Blue	Red	Purple	Grey	Purple	Light Blue	Dark Blue	Dark Grey
Junction Box													
Ex-EB	Green	Yellow	Pink	Grey	Orange	Blue	Red	Purple	Grey	Purple	Light Blue	Dark Blue	Dark Grey
Ex-EPB	Green	Yellow	Pink	Grey	Orange	Blue	Red	Purple	Grey	Purple	Light Blue	Dark Blue	Dark Grey



Table of Contents

EVE[®] Hazardous Locations Luminaires

A,A2,A3 series square High Bay	1
B,B2,B3,B4 series High Bay	2~3
C,C2,C3 series High Bay	4
D,D2 series square High Bay and flood light	5
E series High Bay	6
F series Tunnel Light	7
G series Mini Tunnel Light	8
H series Linear Light	9
I series Linear Light	10
J series EXIT SIGN	11
L series Drop Light	12
M1,M2,M3 series Shoe Box Explosion Proof Light	13
N series Mini Shoe Box Explosion Proof Light	14
O series Slim Tunnel Light	15
P1,P2,P4 series Module Explosion Light	16
Q1,Q2 series High Bay	17
R2,R3,R4 series Linear Explosion Light	18
S1, S2 series High Bay	19
T1, T2,T4 series High Bay	20
U series Movable Light	21
V series EXIT SIGN	22
W series Warning Device	23

EVE[®] Junction Box

Ex-JUN K1	24
Ex-JUN K2	24
Ex-JUN K3	24

EVE[®] Enclosure

Ex-C01	25
Ex-C02	25
Ex-C03	26
Ex-C04	26

EVE[®] Explosion Proof Mobile Phone

RS801	27
RS802	28
RS803	29-30

EVE[®] Rugged iPhone Enclosure

iPhone 7/iPhone 8 enclosure	31
iPhone 8 Plus/iPhone X enclosure	32

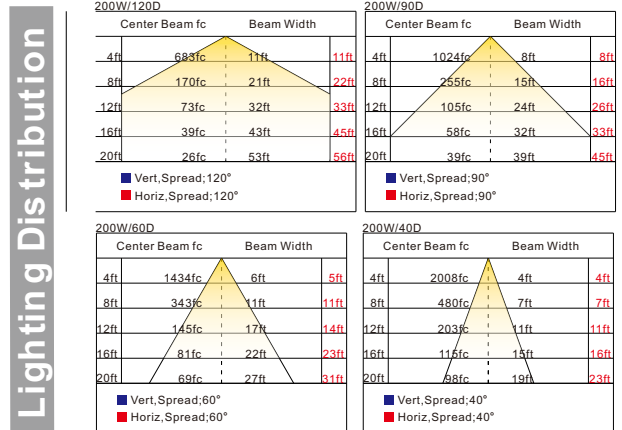
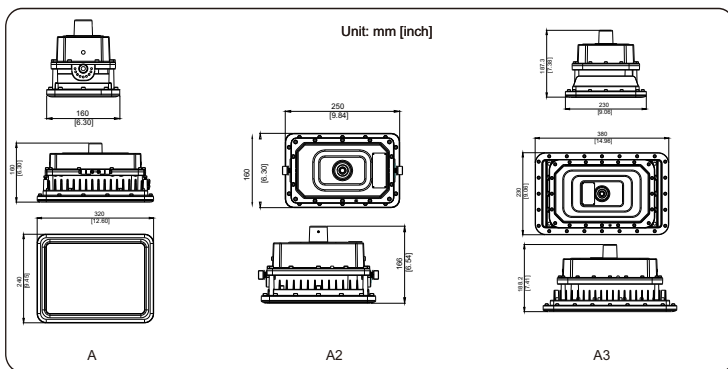


Basic Data

Product Number	Wattage	Color Temp.	Voltage	Lumens	Working Hours	CRI
EX-20W A2YZDA	20	4000K-5700K	AC100-277V	2800	5 years	70
EX-40W A2YZDA	40	4000K-5700K	AC100-277V	5600	5 years	70
EX-60W A2YZDA	60	4000K-5700K	AC100-277V or AC200-480V	8400	5 years	70
EX-80W AYZDA	80	4000K-5700K	AC100-277V or AC200-480V	11200	5 years	70
EX-100W AYZDA	100	4000K-5700K	AC100-277V or AC200-480V	14000	5 years	70
EX-150W A3YZDA	150	4000K-5700K	AC100-277V or AC200-480V	21000	5 years	70
EX-180W A3YZDA	180	4000K-5700K	AC100-277V or AC200-480V	25200	5 years	70
EX-200W A3YZDA	200	4000K-5700K	AC100-277V or AC200-480V	28000	5 years	70

A,A2,A3 product code "Y"=D or N:Dimmable or non-dimmable "Z"= CCT, from 4000~5700K "D"=Beam angle, D40 for 40°,D60 for 60°,D90 for 90°, D120 for 120°

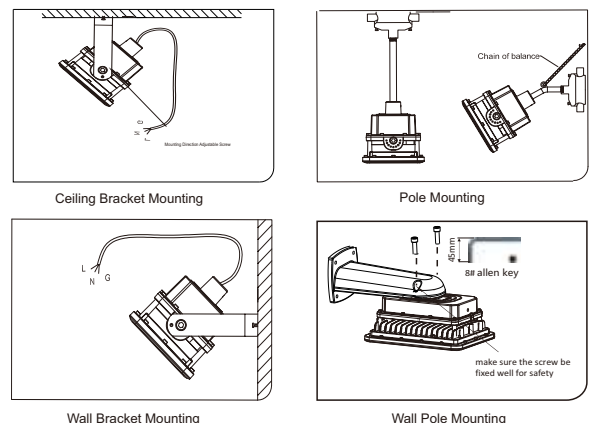
Dimensions



Approvals

Marking Atex	II2 G Ex db IIB T6 Gb II2 D Ex db IIIC T80 Db IP66
Marking IECEx	Ex db IIB T6 Gb Ex db IIIC T80 Db IP66
Marking UL844 (North American)	Class I, Division 2, Groups A, B, C, D Class II, Division 1, Groups E, F, G Class II, Division 2, Groups E, F, G Class III
Marine Marking	UL 1598A ABS and DNV Type Approved
Other Rating	IP 66 IK 10

Installation



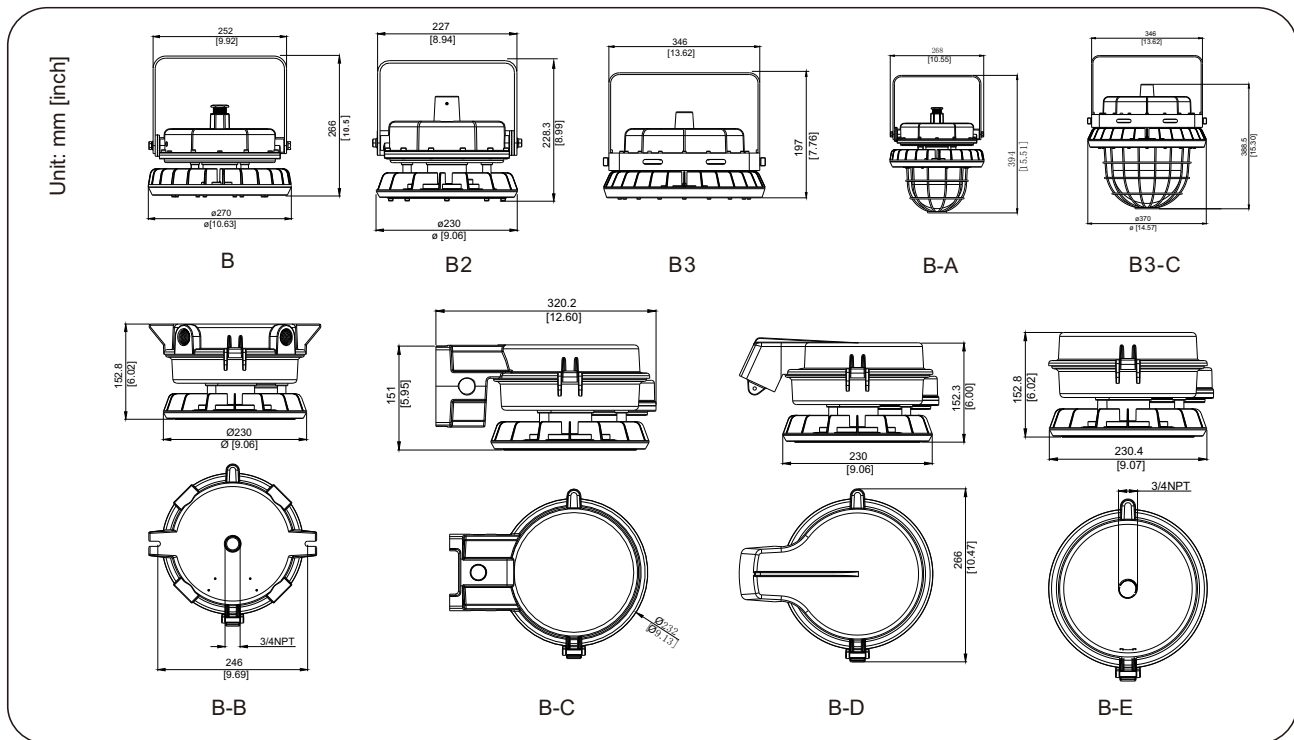


Basic Data

Product Number	Wattage	Color Temp.	Voltage	Lumens	Working Hours	CRI
EX-20W B2YZDA	20	4000K-5700K	AC100-277V	2800	5 years	70
EX-40W B2YZDA	40	4000K-5700K	AC100-277V	5600	5 years	70
EX-60W B2YZDA	60	4000K-5700K	AC100-277V or AC200-480V	8400	5 years	70
EX-80W BYZDA	80	4000K-5700K	AC100-277V or AC200-480V	11200	5 years	70
EX-100W BYZDA	100	4000K-5700K	AC100-277V or AC200-480V	14000	5 years	70
EX-150W B3YZDA	150	4000K-5700K	AC100-277V or AC200-480V	21000	5 years	70
EX-180W B3YZDA	180	4000K-5700K	AC100-277V or AC200-480V	25200	5 years	70
EX-200W B3YZDA	200	4000K-5700K	AC100-277V or AC200-480V	28000	5 years	70

B,B2,B3 product code "Y"=D or N:Dimmable or non-dimmable "Z"= CCT, from 4000~5700K "D"=Beam angle, D40 for 40°,D60 for 60°,D90 for 90°, D120 for 120° A for glass info. blank for flat glass, C for spherical glass.

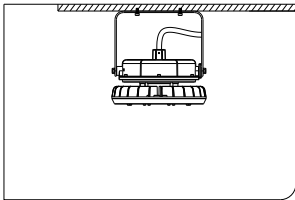
Dimensions



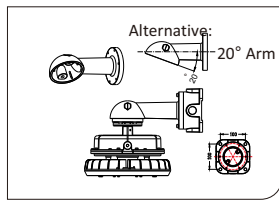
Lighting Distribution

200W/120D				200W/90D				200W/60D				200W/40D			
Center Beam fc		Beam Width		Center Beam fc		Beam Width		Center Beam fc		Beam Width		Center Beam fc		Beam Width	
4ft	682fc	11ft	11ft	4ft	1004fc	8ft	8ft	4ft	1405fc	6ft	5ft	4ft	1967fc	4ft	4ft
8ft	165fc	22ft	22ft	8ft	244fc	15ft	16ft	8ft	341fc	11ft	11ft	8ft	477fc	7ft	7ft
12ft	73fc	34ft	33ft	12ft	109fc	24ft	26ft	12ft	152fc	17ft	14ft	12ft	213fc	11ft	11ft
16ft	40fc	45ft	45ft	16ft	62fc	32ft	33ft	16ft	86fc	22ft	23ft	16ft	120fc	15ft	16ft
20ft	26fc	57ft	57ft	20ft	39fc	39ft	45ft	20ft	55fc	27ft	31ft	20ft	77fc	19ft	23ft
■ Vert, Spread; 120° ■ Horiz, Spread; 120°				■ Vert, Spread; 90° ■ Horiz, Spread; 90°				■ Vert, Spread; 60° ■ Horiz, Spread; 60°				■ Vert, Spread; 40° ■ Horiz, Spread; 40°			

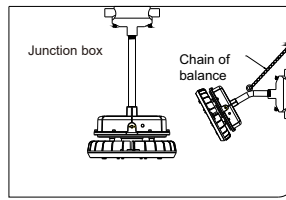
Installation



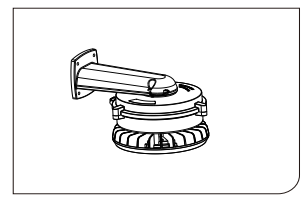
Ceiling Bracket Mounting



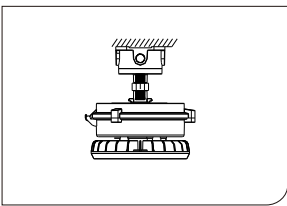
Alternative Arm Mounting



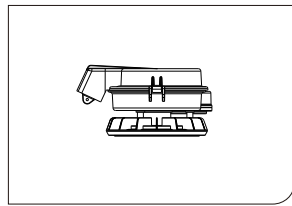
Pendant Mounting



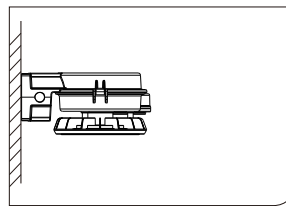
Arm Mounting



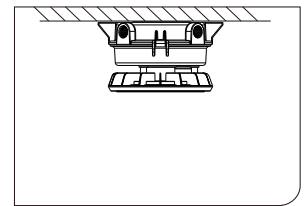
Junction Box Mounting



Stanchion Mounting



Direct Ceiling Mounting



Direct Wall Mounting

Approvals

Marking Atex	II2 G Ex db IIB T6 Gb
	II2 D Ex db IIIC T80 Db IP66
Marking IECEX	Ex db IIB T6 Gb
	Ex db IIIC T80 Db IP66
Marking UL844 <small>(North American)</small>	Class I, Division 2, Groups A, B, C, D
	Class II, Division 1, Groups E, F, G
	Class II, Division 2, Groups E, F, G
	Class III
Marine Marking	UL 1598A
	ABS and DNV Type Approved
Other Rating	IP 66
	IK 10

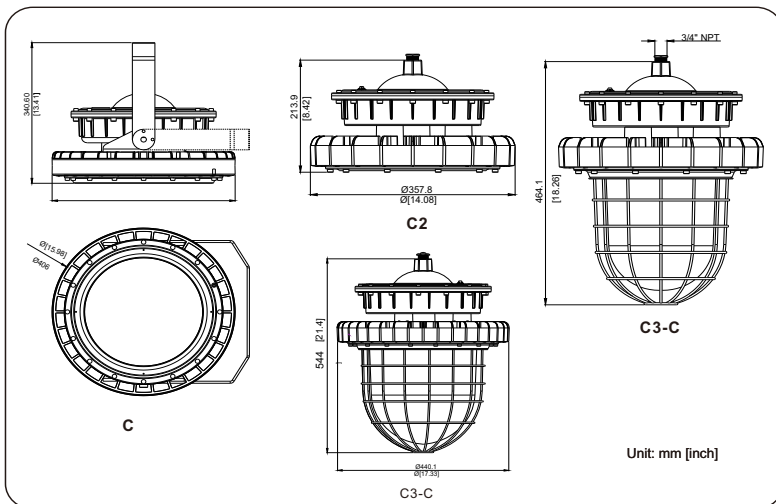


Basic Data

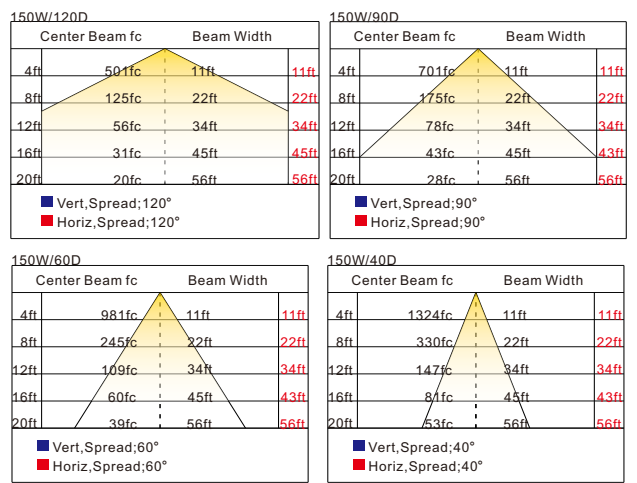
Product Number	Wattage	Color Temp.	Voltage	Lumens	Warranty	CRI
EX-20W C2YZDA	20	4000K-5700K	100-277/200-480V	2800	5 years	70
EX-60W C2YZDA	60	4000K-5700K	100-277/200-480V	8400	5 years	70
EX-80W C2YZDA	80	4000K-5700K	100-277/200-480V	11200	5 years	70
EX-100W CYZDA	100	4000K-5700K	100-277/200-480V	14000	5 years	70
EX-150W CYZDA	150	4000K-5700K	100-277/200-480V	21000	5 years	70
EX-200WC3YZDA	200	4000K-5700K	100-277/200-480V	28000	5 years	70
EX-300W C3YZDA	300	4000K-5700K	100-277/200-480V	42000	5 years	70

“C,C2,C3”=Product code, “Y”=D or N:Dimmable or non-dimmable “Z”= CCT, from 4000~5700K “D”=Beam angle, D40 for 40°,D60 for 60°,D90 for 90°, D120 for 120° A for glass info. blank for flat glass, C for spherical glass.

Dimensions



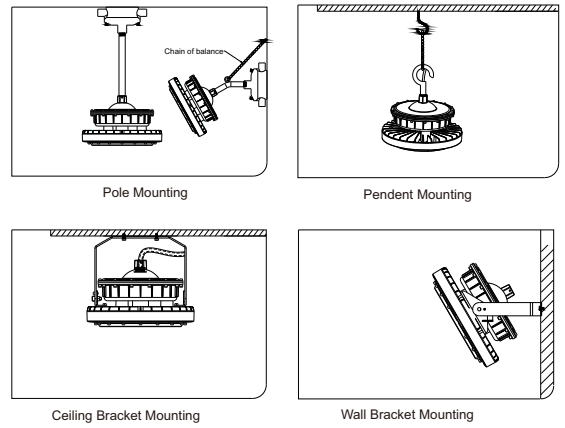
Lighting Distribution



Approvals

Marking Atex	II2 G Ex db IIC T6 Gb II2 D Ex db IIIC T80 Db IP66
Marking IECEx	Ex db IIC T6 Gb Ex db IIIC T80 Db IP66
Marking UL844 (North American)	Class I,Division 1,Groups C,D Class I,Division 2,Groups A,B,C,D Class II,Division 1,Groups E,F,G Class II,Division 2,Groups E,F,G Class III
Marine Marking	UL 1598A ABS and DNV Type Approved
Other Rating	IP 66 IK 10

Installation



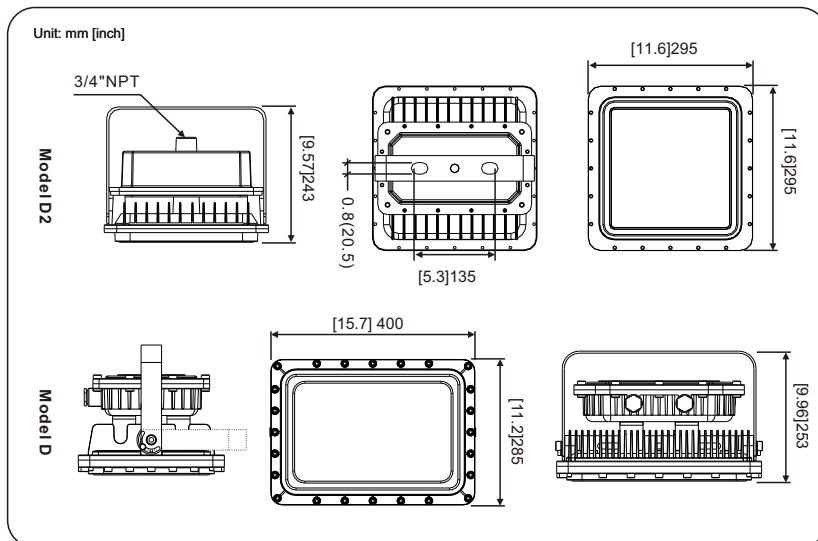


Basic Data

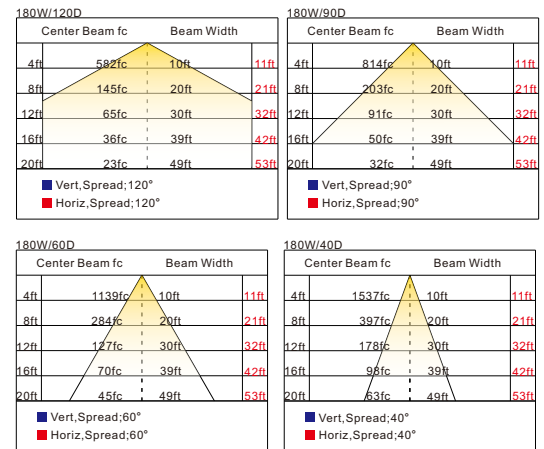
Product Number	Wattage	Color Temp.	Voltage	Lumens	Working Hours	CRI
EX-20W D2YZDA	20	4000K-5700K	AC100-277V	2800	5 years	70
EX-40W D2YZDA	40	4000K-5700K	AC100-277V	5600	5 years	70
EX-60W D2YZDA	60	4000K-5700K	AC100-277V	8400	5 years	70
EX-80W D2YZDA	80	4000K-5700K	AC100-277V	11200	5 years	70
EX-100W DYZDA	100	4000K-5700K	AC100-277V or AC200-480V	14000	5 years	70
EX-150W DYZDA	150	4000K-5700K	AC100-277V or AC200-480V	21000	5 years	70
EX-180W DYZDA	180	4000K-5700K	AC100-277V or AC200-480V	25200	5 years	70

“D, D2”=Product series “Y”=D or N:Dimmable or non-dimmable “Z”= CCT, from 4000~5700K “D”=Beam angle, D40 for 40°,D60 for 60°,D90 for 90°, D120 for 120° A for glass info. blank for flat glass, C for spherical glass.

Dimensions



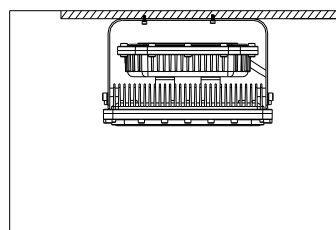
Lighting Distribution



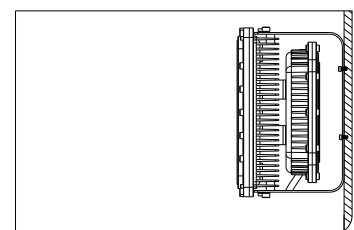
Approvals

Marking Atex	II2 G Ex db IIC T6 Gb II2 D Ex db IIIC T80 Db IP66
Marking IECEx	Ex db IIC T6 Gb Ex db IIIC T80 Db IP66
Marking UL844 <small>(North American)</small>	Class I, Division 1, Groups C, D Class I, Division 2, Groups A, B, C, D Class II, Division 1, Groups E, F, G Class II, Division 2, Groups E, F, G Class III
Marine Marking	UL 1598A ABS and DNV Type Approved
Other Rating	IP 66 IK 10

Installation



Ceiling Bracket Mounting



Wall Bracket Mounting



Flat glass

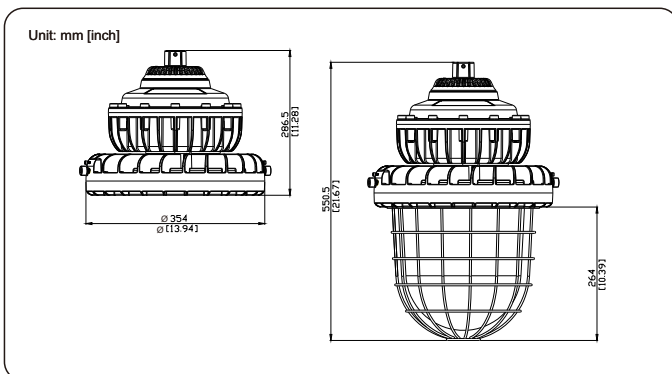
Spherical glass

Basic Data

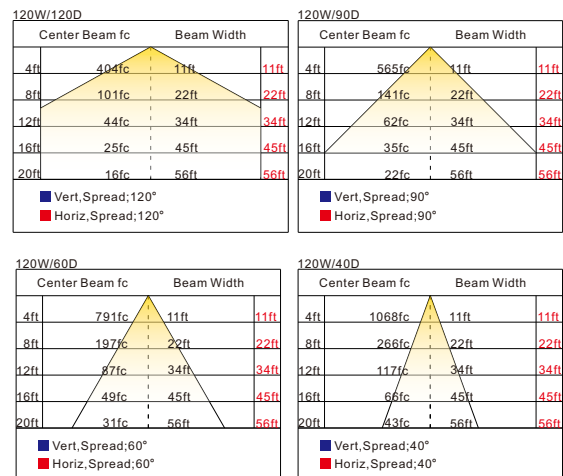
Product Number	Wattage	Color Temp.	Voltage	Lumens	Warranty	CRI
EX-20W EYZDA	20	4000K-5700K	100-277/200-480V	2800	5 years	70
EX-80W EYZDA	80	4000K-5700K	100-277/200-480V	11200	5 years	70
EX-100W EYZDA	100	4000K-5700K	100-277/200-480V	14000	5 years	70
EX-120W EYZDA	120	4000K-5700K	100-277/200-480V	16800	5 years	70
EX-150W EYZDA	150	4000K-5700K	100-277/200-480V	21000	5 years	70

“E”=Product code, “Y”=D or N:Dimmable or non-dimmable “Z”= CCT, from 4000~5700K “D”=Beam angle, D40 for 40°,D60 for 60°,D90 for 90°, D120 for 120° A for glass info. blank for flat glass, C for spherical glass.

Dimensions



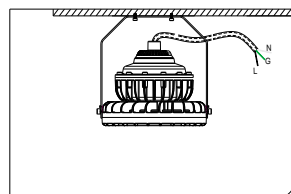
Lighting Distribution



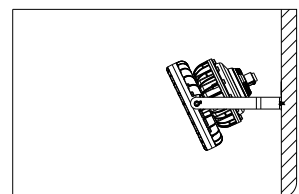
Approvals

Marking Atex	II2 G Ex db IIC T6 Gb II2 D Ex db IIIC T80 Db IP66
Marking IECEX	Ex db IIC T6 Gb Ex db IIIC T80 Db IP66
Marking UL844 (North American)	Class I, Division 1, Groups C, D Class I, Division 2, Groups A, B, C, D Class II, Division 1, Groups E, F, G Class II, Division 2, Groups E, F, G Class III
Marine Marking	UL 1598A ABS and DNV Type Approved
Other Rating	IP 66 IK 10

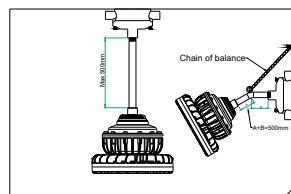
Installation



Ceiling Bracket Mounting



Wall Bracket Mounting



Pole Mounting



Flat glass



Spherical glass

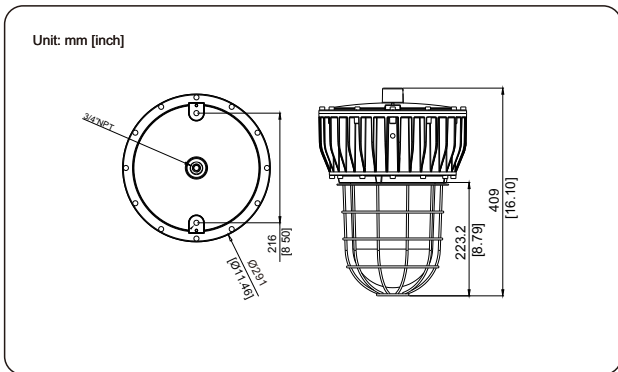


Basic Data

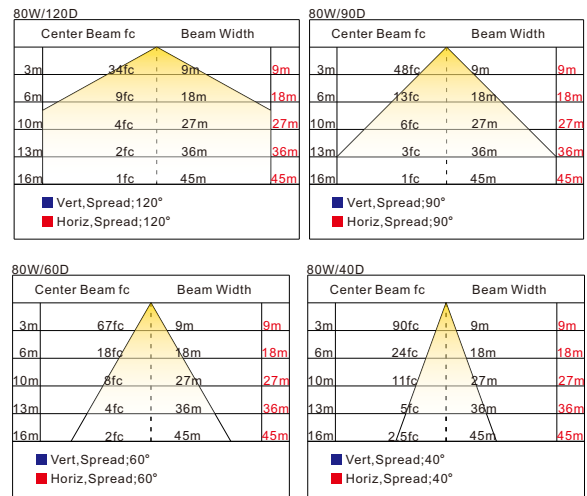
Product Number	Wattage	Color Temp.	Voltage	Lumens	Warranty	CRI
EX-20W FYZDA	20	4000K-5700K	100-277/200-480V	2800	5 years	70
EX-30W FYZDA	30	4000K-5700K	100-277/200-480V	4200	5 years	70
EX-50W FYZDA	50	4000K-5700K	100-277/200-480V	7000	5 years	70
EX-80W FYZDA	80	4000K-5700K	100-277/200-480V	11200	5 years	70
EX-100W FYZDA	100	4000K-5700K	100-277/200-480V	14000	5 years	70

“F”=Product code, “Y”=D or N:Dimmable or non-dimmable “Z”= CCT, from 4000~5700K “D”=Beam angle, D40 for 40°,D60 for 60°,D90 for 90°, D120 for 120° A for glass info. blank for flat glass, C for spherical glass.

Dimensions



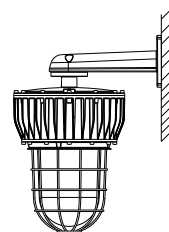
Lighting Distribution



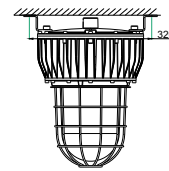
Approvals

Marking Atex	II2 G Ex db IIC T6 Gb II2 D Ex db IIIC T80 Db IP66
Marking IECEx	Ex db IIC T6 Gb Ex db IIIC T80 Db IP66
Marking UL844 (North American)	Class I,Division 1,Groups C,D Class I,Division 2,Groups A,B,C,D Class II,Division 1,Groups E,F,G Class II,Division 2,Groups E,F,G Class III
Marine Marking	UL 1598A ABS and DNV Type Approved
Other Rating	IP 66 IK 10

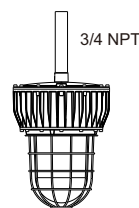
Installation



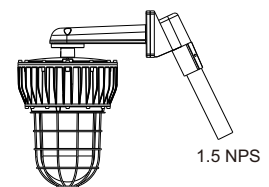
Wall mounted



Surface mounted



Pendent mounted



Pole mounted



Flat glass



Spherical glass

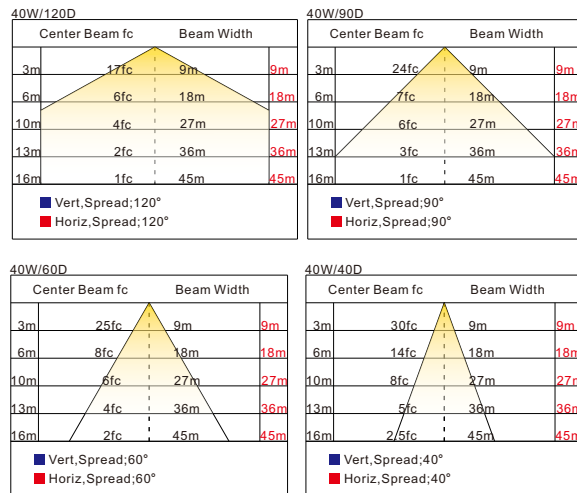
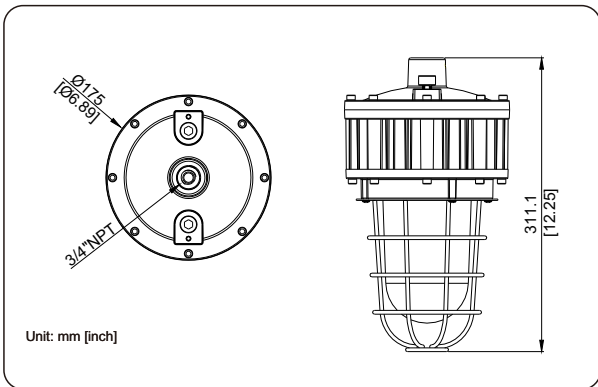


Basic Data

Product Number	Wattage	Color Temp.	Voltage	Lumens	Warranty	CRI
EX-10W GYZDA	10	4000K-5700K	100-277/200-480V	1400	5 years	70
EX-20W GYZDA	20	4000K-5700K	100-277/200-480V	2800	5 years	70
EX-30W GYZDA	30	4000K-5700K	100-277/200-480V	4200	5 years	70
EX-40W GYZDA	40	4000K-5700K	100-277/200-480V	5600	5 years	70

“G”=Product code, “Y”=D or N:Dimmable or non-dimmable “Z”= CCT, from 4000~5700K “D”=Beam angle, D40 for 40°,D60 for 60°,D90 for 90°, D120 for 120° A for glass info. blank for flat glass, C for spherical glass.

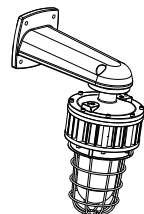
Dimensions



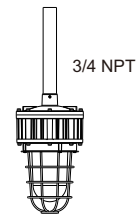
Approvals

Marking Atex	II2 G Ex db IIC T6 Gb II2 D Ex db IIIC T80 Db IP66
Marking IECEx	Ex db IIC T6 Gb Ex db IIIC T80 Db IP66
Marking UL844 (North American)	Class I, Division 1, Groups C, D Class I, Division 2, Groups A, B, C, D Class II, Division 1, Groups E, F, G Class II, Division 2, Groups E, F, G Class III
Marine Marking	UL 1598A ABS and DNV Type Approved
Other Rating	IP 66 IK 10

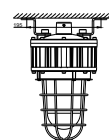
Installation



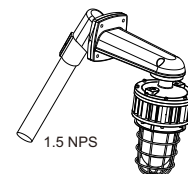
Wall mounted



Pendent



Surface mounted



Pole mounted



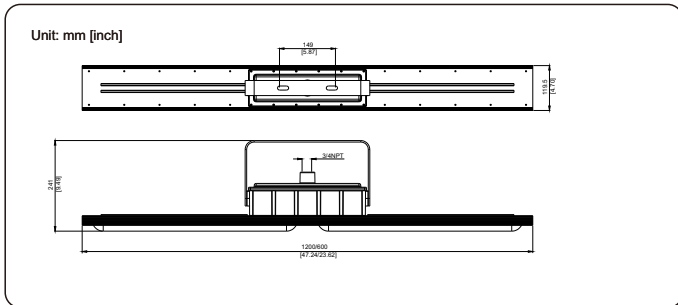
2FT/4FT Linear High Bay

Basic Data

Product Number	Wattage	Color Temp.	Voltage	Lumens	Warranty	CRI
EX-20W H2YZDA	20	4000K-5700K	100-277/200-480V	2800	5 years	70
EX-30W H2YZDA	30	4000K-5700K	100-277/200-480V	4200	5 years	70
EX-40W H4YZDA	40	4000K-5700K	100-277/200-480V	5600	5 years	70
EX-50W H4YZDA	50	4000K-5700K	100-277/200-480V	7000	5 years	70
EX-60W H4YZDA	60	4000K-5700K	100-277/200-480V	8400	5 years	70

“H2, H4”=Product code, “Y”=D or N:Dimmable or non-dimmable “Z”= CCT, from 4000~5700K “D”=Beam angle, D40 for 40°,D60 for 60°,D90 for 90°, D120 for 120° A for glass info. blank for flat glass, C for spherical glass.

Dimensions



50W/120D

	Center Beam fc	Beam Width	
10ft	25fc	30ft	34ft
20ft	6fc	59ft	67ft
30ft	3fc	89ft	100ft
40ft	1fc	148ft	134ft
50ft	0.6fc	178ft	168ft

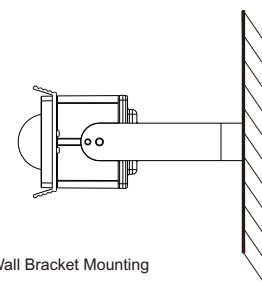
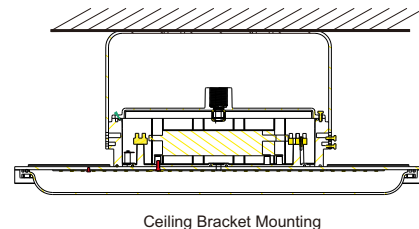
■ Vert, Spread; 120°
■ Horiz, Spread; 120°

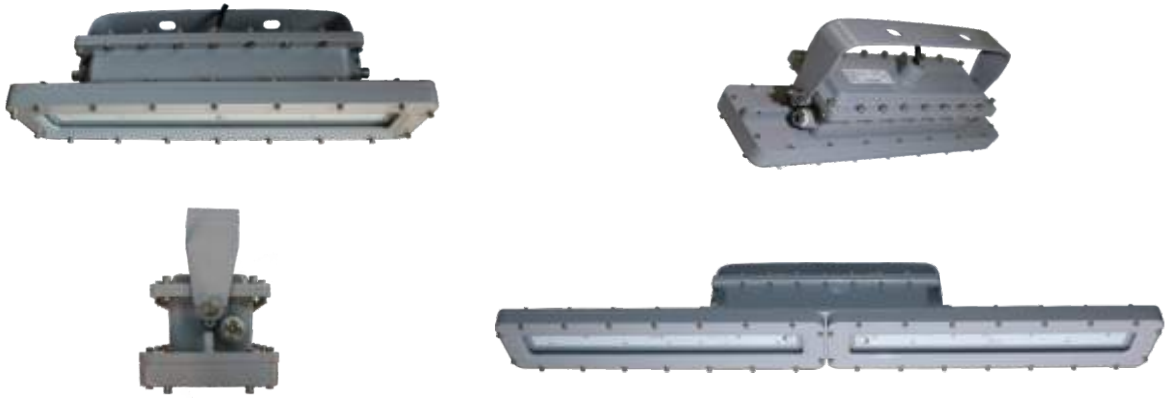
Lighting Distribution

Approvals

Marking Atex	II2 G Ex db IIB T6 Gb II2 D Ex db IIIC T80 Db IP66
Marking IECEX	Ex db IIB T6 Gb Ex db IIIC T80 Db IP66
Marking UL844 <small>(North American)</small>	Class I, Division 2, Groups A, B, C, D Class II, Division 1, Groups E, F, G Class II, Division 2, Groups E, F, G Class III
Marine Marking	UL 1598A ABS and DNV Type Approved
Other Rating	IP 66 IK 10

Installation



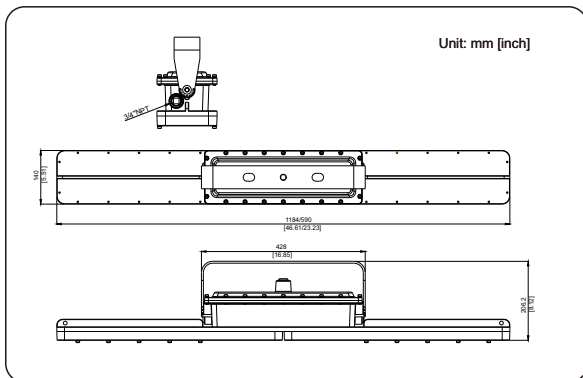


Basic Data

Product Number	Wattage	Color Temp.	Voltage	Lumens	Warranty	CRI
EX-20W I2YZDA	20	4000K-5700K	100-277/200-480V	2800	5 years	70
EX-30W I2YZDA	30	4000K-5700K	100-277/200-480V	4200	5 years	70
EX-60W I2YZDA	60	4000K-5700K	100-277/200-480V	8400	5 years	70
EX-80W I4YZDA	80	4000K-5700K	100-277/200-480V	11200	5 years	70
EX-120W I4YZDA	120	4000K-5700K	100-277/200-480V	16800	5 years	70

“I2, I4”=Product code, “Y”=D or N:Dimmable or non-dimmable “Z”= CCT, from 4000~5700K “D”=Beam angle, D40 for 40°,D60 for 60°,D90 for 90°, D120 for 120° A for glass info. blank for flat glass, C for spherical glass.

Dimensions



80W/120D

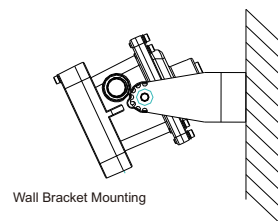
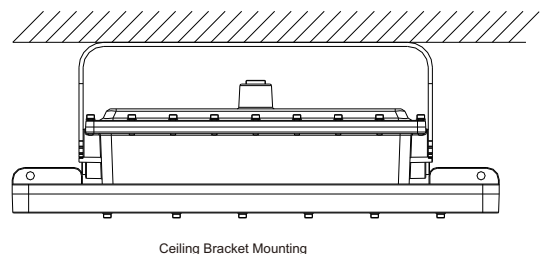
	Center Beam fc	Beam Width	
17ft	14fc	51ft	51ft
34ft	3fc	103ft	101ft
51ft	2fc	154ft	153ft
68ft	0.8fc	256ft	255ft
85ft	0.6fc	307ft	306ft

■ Vert, Spread; 120°
■ Horiz, Spread; 120°

Approvals

Marking Atex	II2 G Ex db IIC T6 Gb II2 D Ex db IIIC T80 Db IP66
Marking IECEx	Ex db IIC T6 Gb Ex db IIIC T80 Db IP66
Marking UL844 <small>(North American)</small>	Class I, Division 1, Groups C, D Class I, Division 2, Groups A, B, C, D Class II, Division 1, Groups E, F, G Class II, Division 2, Groups E, F, G Class III
Marine Marking	UL 1598A ABS and DNV Type Approved
Other Rating	IP 66 IK 10

Installation



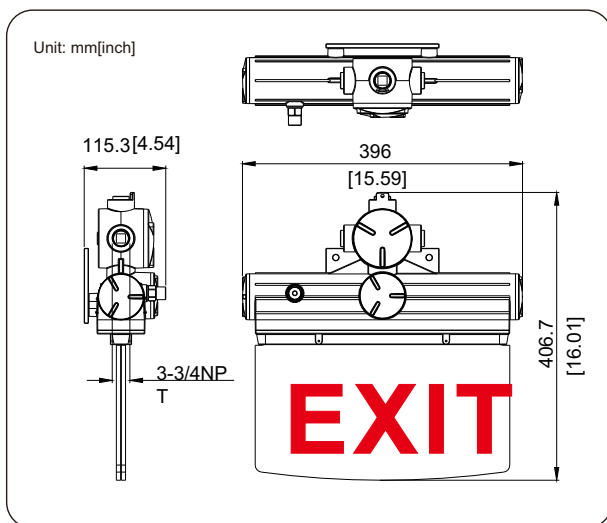


Basic Data

Product Number	Wattage	Color Temp.	Voltage	Emergency time	Warranty
EX-3W JC1D2	3	Red	100-277V	3 Hours	5 years
EX-7W JC1D2	7	Red	100-277V	3 Hours	5 years
EX-11W JC1D2	11	Red	100-277V	3 Hours	5 years
EX-13W JC1D2	13	Red	100-277V	3 Hours	5 years

EX for explosion proof product, "J"=Product code, C1D2 for max protection level

Dimensions



Advantages

- 1,Extremely long lifespan.
- 2,High durability and reliability.
- 3,Low working wattage for energy saving.
- 4,Light weight and reasonable size.
- 5,High vibration and impact resistant.
- 6,Fully electrical circuit control.
- 7,Completed automatic control.
- 8,1/2" NPT conduit hubs.
- 9,T6 Temperature Rating.

Approvals

Marking Atex	II2 G Ex db IIB T6 Gb II2 D Ex db IIIC T80 Gb IP66
Marking IECEX	Ex db IIB T6 Gb Ex db IIIC T80 Gb IP66
Marking UL844/924 <small>(North American)</small>	Class I,Division 2,Groups A,B,C,D Class II,Division 1,Groups E,F,G Class II,Division 2,Groups E,F,G Class III
Marine Marking	UL 1598A ABS and DNV Type Approved
Other Rating	IP 66, NFPA 101 IK 10

Technical Data

Ambient temperature: -30°C to +60°C
 Power: 3~13W
 Rated voltage: AC100-277V
 Frequency: 50/60Hz
 Battery Warranty: 3 Years
 Enclosure material: Copper free aluminum alloy

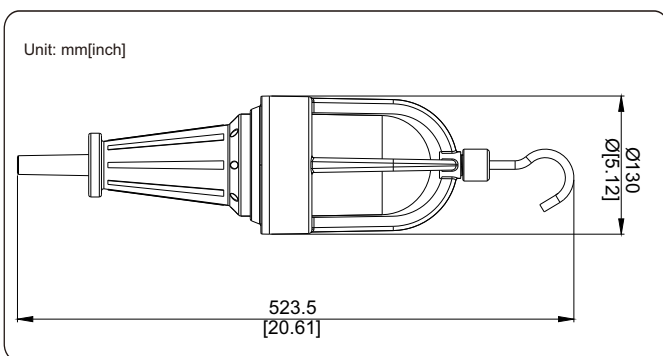


Basic Data

Product Number	Wattage	Color Temp.	Voltage	Lumens	Warranty	CRI
EX-5W LYZD	5	4000K-5700K	100-277/200-480V	650	5 years	80
EX-7W LYZD	7	4000K-5700K	100-277/200-480V	910	5 years	80
EX-9W LYZD	9	4000K-5700K	100-277/200-480V	1170	5 years	80

“L”=Product code, “Y”=D or N:Dimmable or non-dimmable “Z”= CCT, from 4000~5700K “D”=Beam angle, D40 for 40°,D60 for 60°,D90 for 90°, D120 for 120° A for glass info. blank for flat glass, C for spherical glass.

Dimensions



Approvals

Marking Atex	II2 G Ex db IIB T6 Gb II2 D Ex db IIIC T80 Db IP66
Marking IECEX	Ex db IIB T6 Gb Ex db IIIC T80 Db IP66
Marking UL844 <small>(North American)</small>	Class I, Division 2, Groups A, B, C, D Class II, Division 1, Groups E, F, G Class II, Division 2, Groups E, F, G Class III
Marine Marking	UL 1598A ABS and DNV Type Approved
Other Rating	IP 66 IK 10

Advantages

- 1, Extremely long lifespan.
- 2, High durability and reliability.
- 3, Low working wattage for energy saving.
- 4, Light weight and reasonable size.
- 5, High vibration and impact resistant.
- 6, Completed automatic control.
- 7, Lamp shield prevent shattering.
- 8, Aluminum housing.
- 9, Plugs into standard outlets.
- 10, Swivel hook for hanging and hands free operation.
- 11, Portable and be moved easily.
- 12, Hook to make installation extremely easy.
- 13, Battery back up for emergency situation.
- 14, Changeable light source and battery to make replacement super easy.

Notes

5W LED drop light is suitable for replacement at the locations with 60W to 100W traditional bulbs.

This explosion proof hand light operates on standard 120 Volts. This unit is available with either a 60-100 watt bulb for Class 1 Division 1 operation (Gases Vapors) or a 60 watt bulb for Class 2 division 1 operations (Dusts).

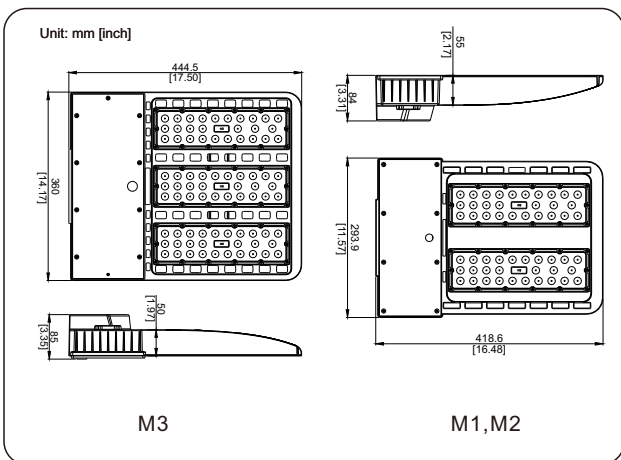


Basic Data

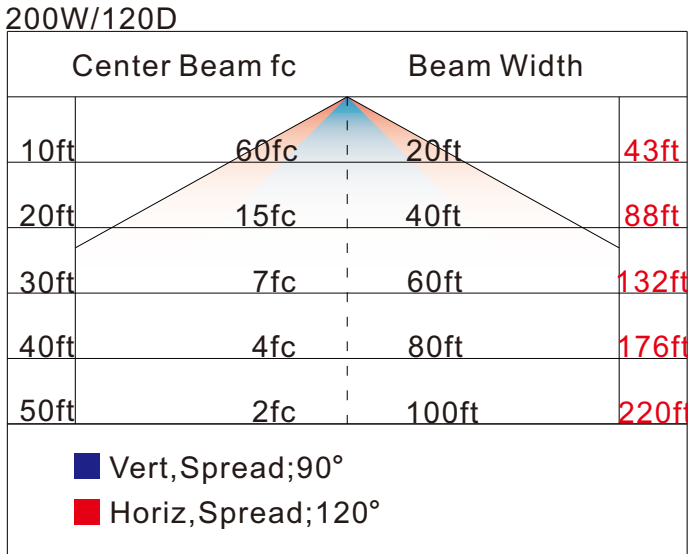
Product Number	Wattage	Color Temp.	Voltage	Lumens	Warranty	CRI
EX-60W M1YZT3	60	4000K-5700K	100-277/200-480V	8400	5 years	70
EX-100W M2YZT3	100	4000K-5700K	100-277/200-480V	14000	5 years	70
EX-150W M3YZT3	150	4000K-5700K	100-277/200-480V	21000	5 years	70
EX-200W M3YZT3	200	4000K-5700K	100-277/200-480V	28000	5 years	70

“M1, M2, M3”=Product code, “Y=”D or N, dimmable or non-dimmable “Z”=CCT, from 400-5700K, 40 for 4000K, 45 for 4500K... “T3”=Beam angle

Dimensions



Lighting Distribution



Approvals

Marking Atex	II2 G Ex db IIB T6 Gb II2 D Ex db IIIC T80 Db IP66
Marking IECEx	Ex db IIB T6 Gb Ex db IIIC T80 Db IP66
Marking UL844 <small>(North American)</small>	Class I, Division 2, Groups A, B, C, D Class II, Division 1, Groups E, F, G Class II, Division 2, Groups E, F, G Class III
Marine Marking	UL 1598A ABS and DNV Type Approved
Other Rating	IP 66 IK 10



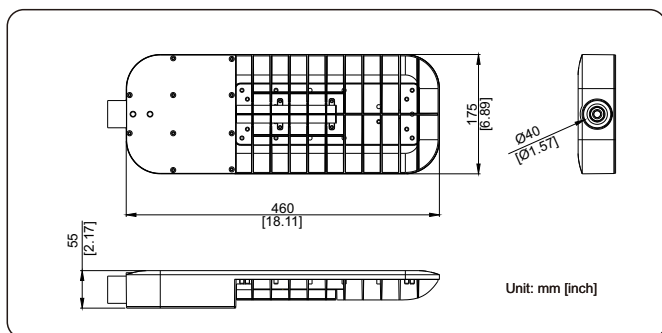


Basic Data

Product Number	Wattage	Color Temp.	Voltage	Lumens	Warranty	CRI
EX-25W NYXT3	25	4000K-5700K	100-277/200-480V	3500	5 years	70
EX-35W NYZT3	35	4000K-5700K	100-277/200-480V	4200	5 years	70
EX-50W NYZT3	50	4000K-5700K	100-277/200-480V	5600	5 years	70

“N”=Product code, “Y”=D or N, dimmable or non-dimmable “Z”=CCT, from 400-5700K, 40 for 4000K, 45 for 4500K... “T3”=Beam angle

Dimensions



Lighting Distribution

50W/120D

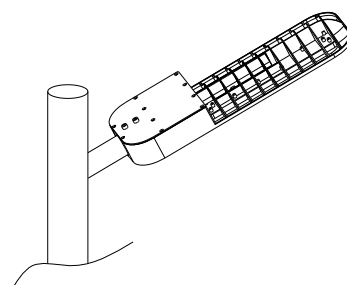
	Center Beam fc	Beam Width	
17ft	6fc	36ft	73ft
34ft	1.5fc	72ft	145ft
51ft	0.65fc	108ft	218ft
68ft	0.36fc	143ft	290ft
85ft	0.23fc	179ft	363ft

■ Vert, Spread; 90°
■ Horiz, Spread; 120°

Approvals

Marking Atex	II2 G Ex db IIB T6 Gb II2 D Ex db IIIC T80 Db IP66
Marking IECEx	Ex db IIB T6 Gb Ex db IIIC T80 Db IP66
Marking UL844 <small>(North American)</small>	Class I, Division 2, Groups A, B, C, D Class II, Division 1, Groups E, F, G Class II, Division 2, Groups E, F, G Class III
Marine Marking	UL 1598A ABS and DNV Type Approved
Other Rating	IP 66 IK 10

Installation



Pole Mounting

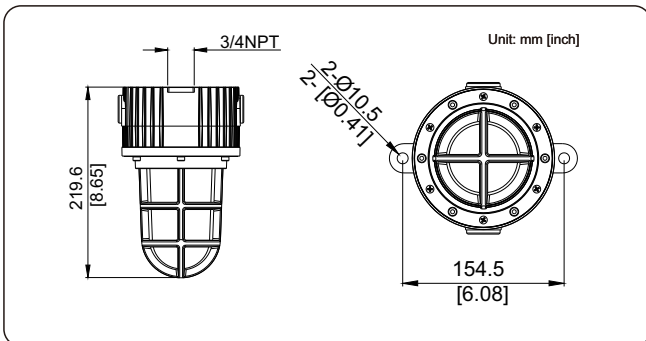


Basic Data

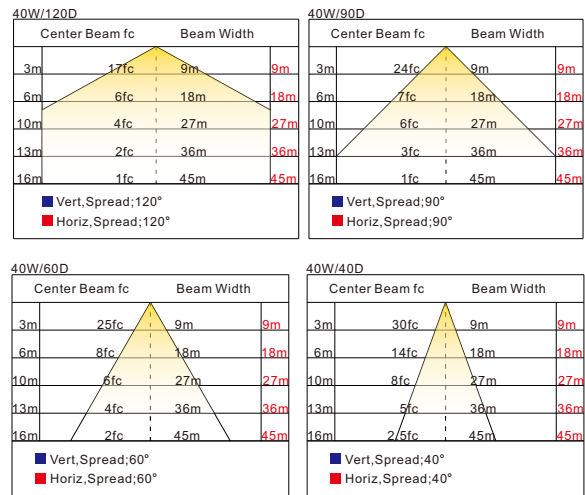
Product Number	Wattage	Color Temp.	Voltage	Lumens	Warranty	CRI
EX-10W OYZDA	10	4000K-5700K	100-277/200-480V	1400	5 years	70
EX-15W OYZDA	15	4000K-5700K	100-277/200-480V	2100	5 years	70
EX-20W OYZDA	20	4000K-5700K	100-277/200-480V	2800	5 years	70
EX-30W OYZDA	30	4000K-5700K	100-277/200-480V	4200	5 years	70
EX-40W OYZDA	40	4000K-5700K	100-277/200-480V	5600	5 years	70

“O”=Product code, “Y”=D or N: Dimmable or non-dimmable “Z”= CCT, from 4000~5700K “D”=Beam angle, D40 for 40°, D60 for 60°, D90 for 90°, D120 for 120° A for glass info. blank for flat glass, C for spherical glass.

Dimension



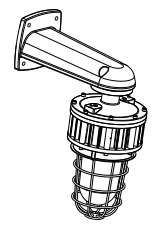
Lighting Distribution



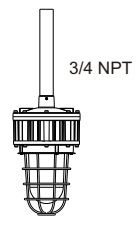
Approvals

Marking Atex	II2 G Ex db IIB T6 Gb II2 D Ex db IIIC T80 Db IP66
Marking IECEx	Ex db IIB T6 Gb Ex db IIIC T80 Db IP66
Marking UL844 (North American)	Class I, Division 2, Groups A, B, C, D Class II, Division 1, Groups E, F, G Class II, Division 2, Groups E, F, G Class III
Marine Marking	UL 1598A ABS and DNV Type Approved
Other Rating	IP 66 IK 10

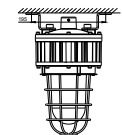
Installation



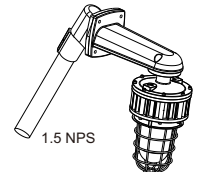
Wall mounted



Pendent



Surface mounted



Pole mounted

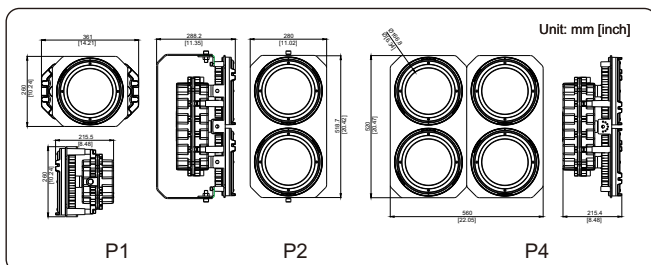


Basic Data

Product Number	Wattage	Color Temp.	Voltage	Lumens	Warranty	CRI
EX-80W P1YZDA	80	4000K-5700K	100-277/200-480V	11200	5 years	70
EX-100W P1YZDA	100	4000K-5700K	100-277/200-480V	14000	5 years	70
EX-150W P2YZDA	150	4000K-5700K	100-277/200-480V	21000	5 years	70
EX-180W P2YZDA	180	4000K-5700K	100-277/200-480V	25200	5 years	70
EX-200W P2YZDA	200	4000K-5700K	100-277/200-480V	28000	5 years	70
EX-300W P4YZDA	300	4000K-5700K	100-277/200-480V	42000	5 years	70
EX-400W P4YZDA	400	4000K-5700K	100-277/200-480V	56000	5 years	70

“P1,P2,P4”=Product code, “Y”=D or N:Dimmable or non-dimmable “Z”= CCT, from 4000~5700K “D”=Beam angle, D40 for 40°,D60 for 60°,D90 for 90°, D120 for 120° A for glass info. blank for flat glass, C for spherical glass.

Dimensions

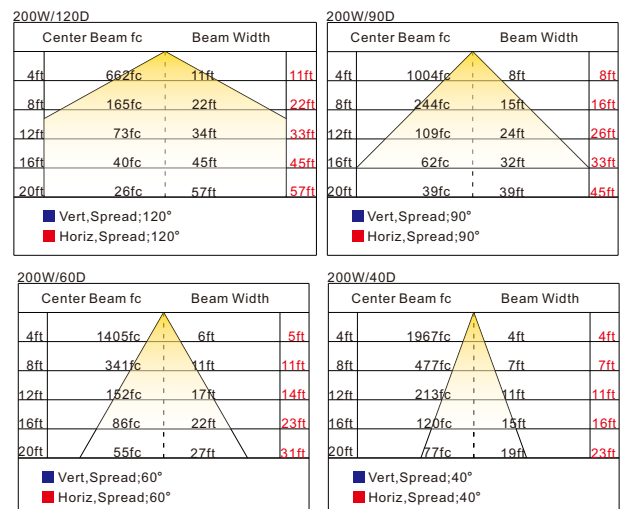


Modularization design makes replacement and repairing extremely easy.

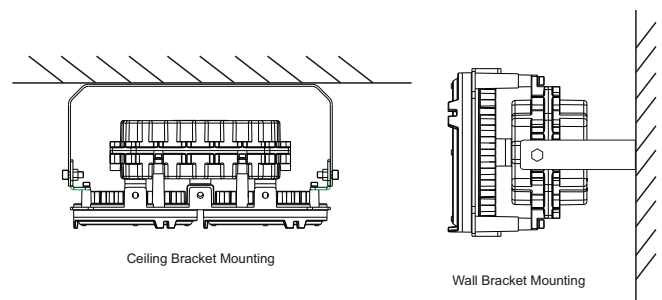
Approvals

Marking Atex	II2 G Ex db IIC T6 Gb II2 D Ex db IIIC T80 Db IP66
Marking IECEx	Ex db IIC T6 Gb Ex db IIIC T80 Db IP66
Marking UL844 (North American)	Class I, Division 1, Groups C, D Class I, Division 2, Groups A, B, C, D Class II, Division 1, Groups E, F, G Class II, Division 2, Groups E, F, G Class III
Marine Marking	UL 1598A ABS and DNV Type Approved
Other Rating	IP 66 IK 10

Lighting Distribution



Installation

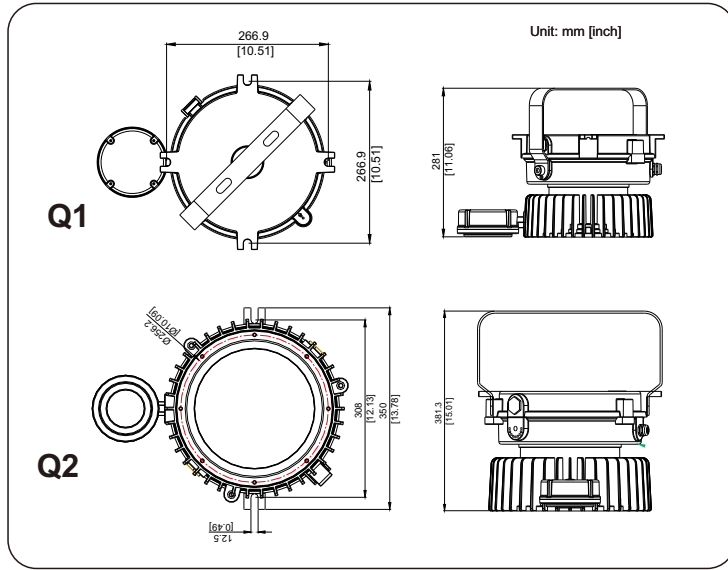




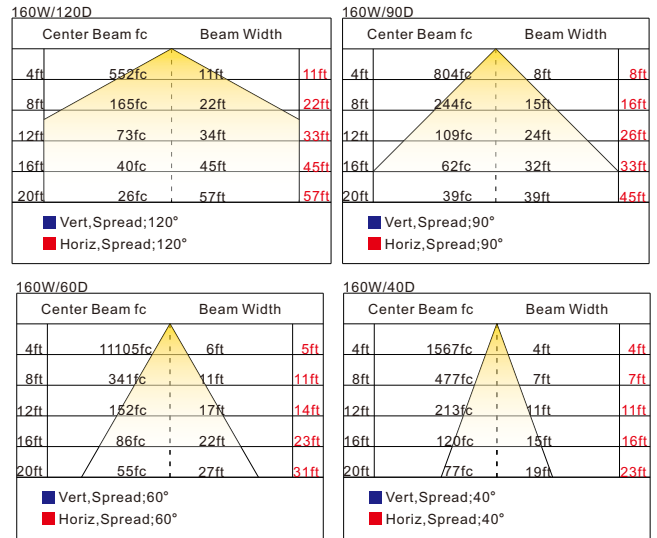
Basic Data	Product Number	Wattage	Color Temp.	Voltage	Lumens	Warranty	CRI
	EX-20W Q1YZDA	20	4000K-5700K	100-277/200-480V	2800	5 years	70
	EX-40W Q1YZDA	40	4000K-5700K	100-277/200-480V	5600	5 years	70
	EX-60W Q1YZDA	60	4000K-5700K	100-277/200-480V	8400	5 years	70
	EX-80W Q1YZDA	80	4000K-5700K	100-277/200-480V	11200	5 years	70
	EX-100W Q2YZDA	100	4000K-5700K	100-277/200-480V	14000	5 years	70
	EX-150W Q2YZDA	150	4000K-5700K	100-277/200-480V	21000	5 years	70
	EX-200W Q2YZDA	200	4000K-5700K	100-277/200-480V	28000	5 years	70

“Q1,Q2”=Product code, “Y”=D or N:Dimmable or non-dimmable “Z”= CCT, from 4000~5700K “D”=Beam angle, D40 for 40°,D60 for 60°,D90 for 90°, D120 for 120° A for glass info. blank for flat glass, C for spherical glass.

Dimensions



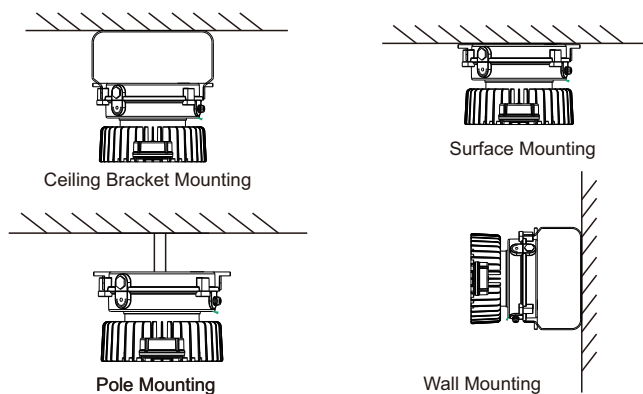
Lighting Distribution



Approvals

Marking Atex	II2 G Ex db IIB T6 Gb II2 D Ex db IIIC T80 Db IP66
Marking IECEx	Ex db IIB T6 Gb Ex db IIIC T80 Db IP66
Marking UL844 (North American)	Class I, Division 2, Groups A, B, C, D Class II, Division 1, Groups E, F, G Class II, Division 2, Groups E, F, G Class III
Marine Marking	UL 1598A ABS and DNV Type Approved
Other Rating	IP 66 IK 10

Installation

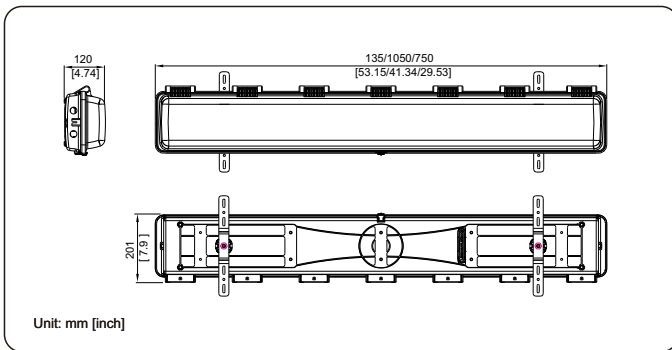




Product Number	Wattage	Color Temp.	Voltage	Lumens	Warranty	CRI
EX-20W R2YZDA	20	4000K-5700K	100-277/200-480V	2800	5 years	70
EX-40W R2YZDA	40	4000K-5700K	100-277/200-480V	5600	5 years	70
EX-50W R3YZDA	50	4000K-5700K	100-277/200-480V	7000	5 years	70
EX-60W R3YZDA	60	4000K-5700K	100-277/200-480V	8400	5 years	70
EX- 50W R4YZDA	50	4000K-5700K	100-277/200-480V	7000	5 years	70
EX- 60W R4YZDA	60	4000K-5700K	100-277/200-480V	8400	5 years	70
EX- 72W R4YZDA	72	4000K-5700K	100-277/200-480V	10800	5 years	70

“Q1,Q2”=Product code, “Y”=D or N:Dimmable or non-dimmable “Z”= CCT, from 4000–5700K “D”=Beam angle, D40 for 40°,D60 for 60°,D90 for 90°, D120 for 120° A for glass info. blank for flat glass, C for spherical glass.

Dimensions



80W/120D

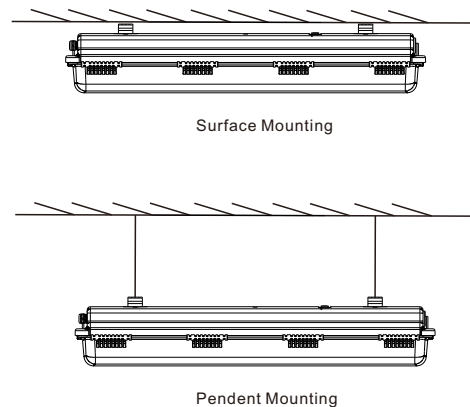
	Center Beam fc	Beam Width	
17ft	14fc	51ft	51ft
34ft	3fc	103ft	101ft
51ft	2fc	154ft	153ft
68ft	0.8fc	256ft	255ft
85ft	0.6fc	307ft	306ft

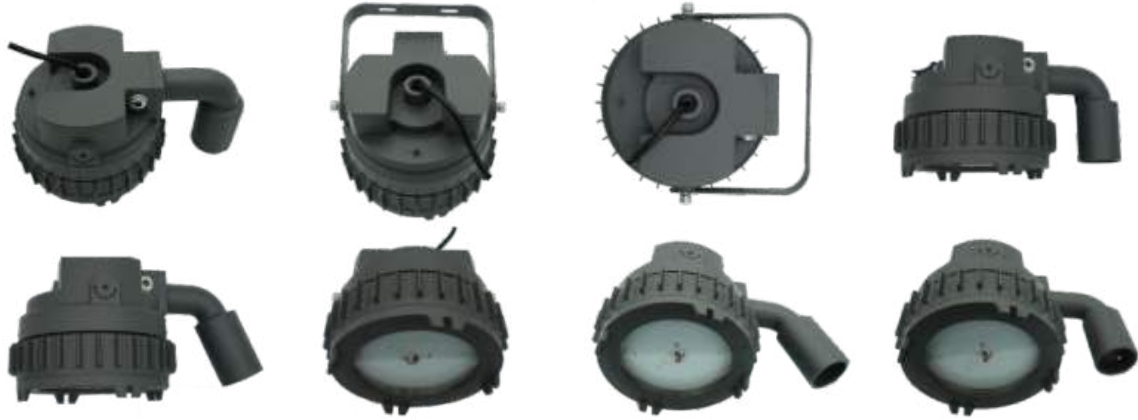
■ Vert, Spread; 120°
■ Horiz, Spread; 120°

Approvals

Marking Atex	II 2GD Ex db eb mb op is q IIC T5/T4 Gb Ex tb op is IIC T80 Db IP66
Marking IECEX	Ex db IIB T6 Gb Ex db IIIC T80 Gb IP66
Marking UL844 <small>(North American)</small>	Class I, Division 2, Groups A, B, C, D Class II, Division 1, Groups E, F, G Class II, Division 2, Groups E, F, G Class III
Marine Marking	UL 1598A ABS and DNV Type Approved
Other Rating	IP 66 IK 10

Installation



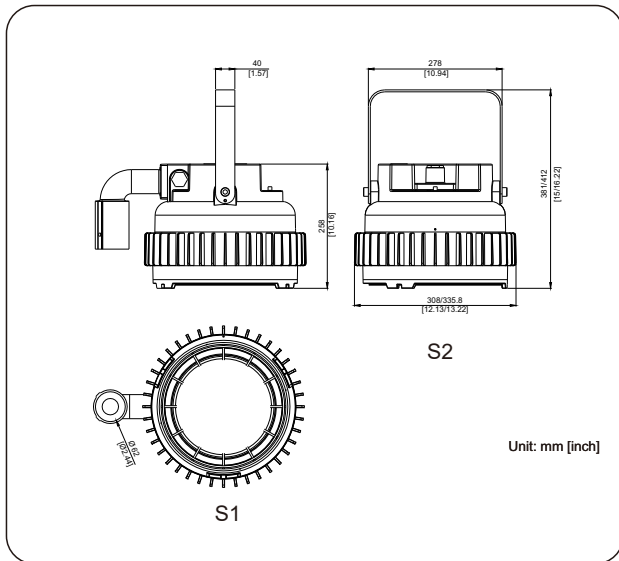


Basic Data

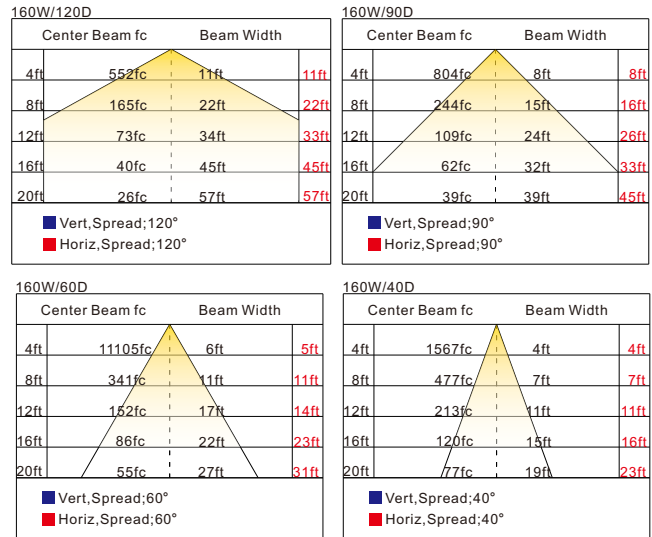
Product Number	Wattage	Color Temp.	Voltage	Lumens	Warranty	CRI
EX-20W S1YZDA	20	4000K-5700K	100-277/200-480V	2800	5 years	70
EX-40W S1YZDA	40	4000K-5700K	100-277/200-480V	5600	5 years	70
EX-60W S1YZDA	60	4000K-5700K	100-277/200-480V	8400	5 years	70
EX-80W S1YZDA	80	4000K-5700K	100-277/200-480V	11200	5 years	70
EX-100W S2YZDA	100	4000K-5700K	100-277/200-480V	14000	5 years	70
EX-150W S2YZDA	150	4000K-5700K	100-277/200-480V	21000	5 years	70
EX-200W S2YZDA	200	4000K-5700K	100-277/200-480V	28000	5 years	70

“S1,S2”=Product code, “Y”=D or N:Dimmable or non-dimmable “Z”= CCT, from 4000~5700K “D”=Beam angle, D40 for 40°,D60 for 60°,D90 for 90°, D120 for 120° A for glass info. blank for flat glass, C for spherical glass.

Dimensions



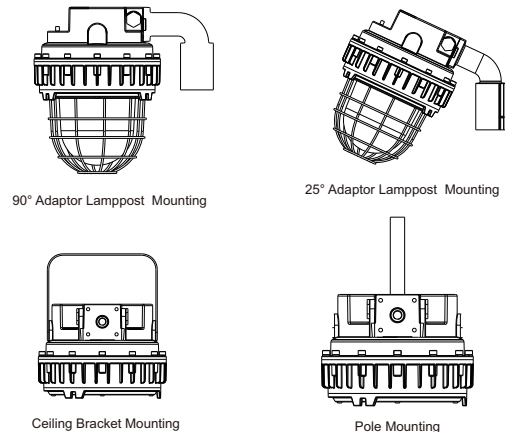
Lighting Distribution

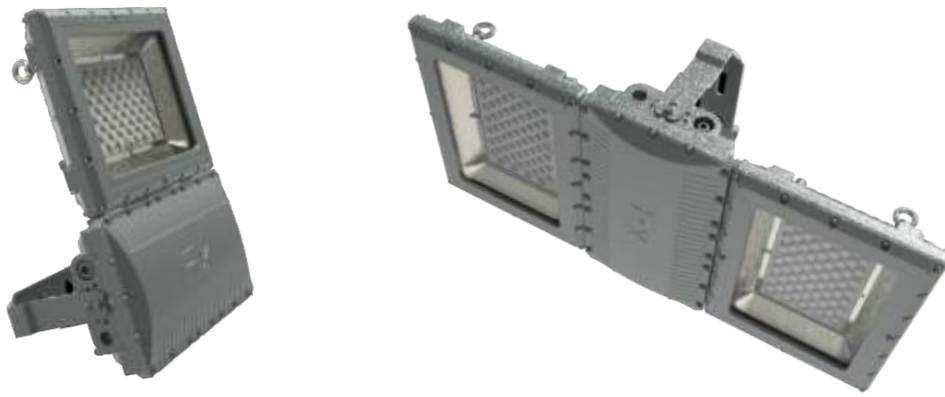


Approvals

Marking Atex	II2 G Ex db IIB T6 Gb II2 D Ex db IIIC T80 Db IP66
Marking IECEx	Ex db IIB T6 Gb Ex db IIIC T80 Db IP66
Marking UL844 (North American)	Class I,Division 2,Groups A,B,C,D Class II,Division 1,Groups E,F,G Class II,Division 2,Groups E,F,G Class III
Marine Marking	UL 1598A ABS and DNV Type Approved
Other Rating	IP 66 IK 10

Installation



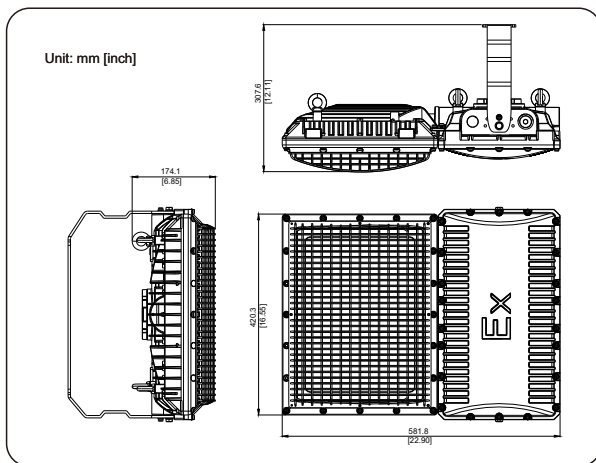


Basic Data

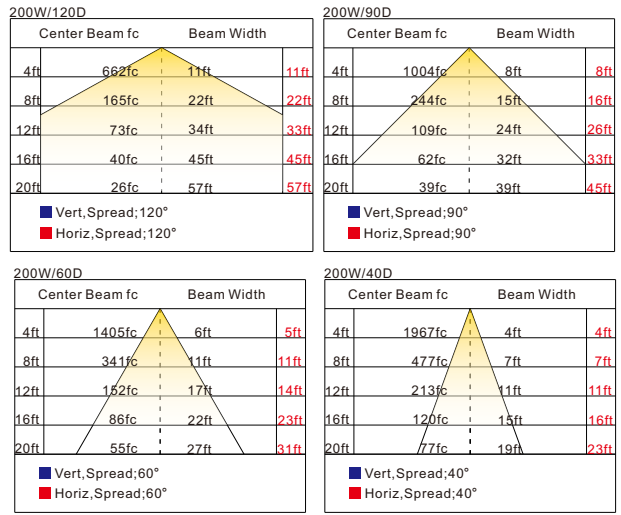
Product Number	Wattage	Color Temp.	Voltage	Lumens	Warranty	CRI
EX-80W T1YZDA	80	4000K-5700K	100-277/200-480V	11200	5 years	70
EX-100W T1YZDA	100	4000K-5700K	100-277/200-480V	14000	5 years	70
EX-150W T2YZDA	150	4000K-5700K	100-277/200-480V	21000	5 years	70
EX-180W T2YZDA	180	4000K-5700K	100-277/200-480V	25200	5 years	70
EX-200W T2YZDA	200	4000K-5700K	100-277/200-480V	28000	5 years	70
EX-300W T4YZDA	300	4000K-5700K	100-277/200-480V	42000	5 years	70
EX-400W T4YZDA	400	4000K-5700K	100-277/200-480V	56000	5 years	70

“T1,T2,T4”=Product code, “Y”=D or N:Dimmable or non-dimmable “Z”= CCT, from 4000~5700K “D”=Beam angle, D40 for 40°,D60 for 60°,D90 for 90°, D120 for 120° A for glass info. blank for flat glass, C for spherical glass.

Dimensions



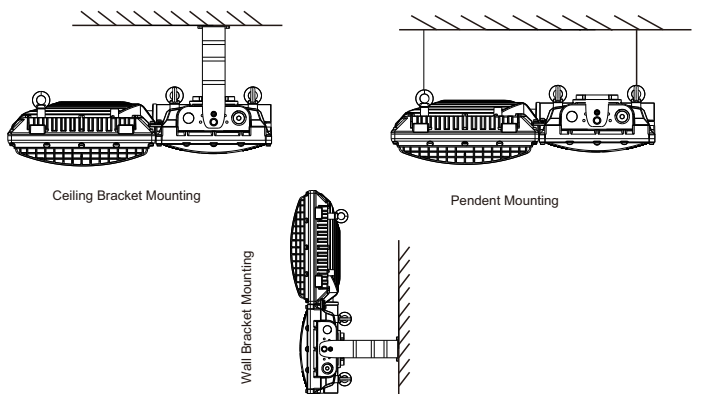
Lighting Distribution



Approvals

Marking Atex	II2 G Ex db IIC T6 Gb II2 D Ex db IIIC T80 Db IP66
Marking IECEx	Ex db IIC T6 Gb Ex db IIIC T80 Db IP66
Marking UL844 <small>(North American)</small>	Class I,Division 1,Groups C,D Class I,Division 2,Groups A,B,C,D Class II,Division 1,Groups E,F,G Class II,Division 2,Groups E,F,G Class III
Marine Marking	UL 1598A ABS and DNV Type Approved
Other Rating	IP 66 IK 10

Installation



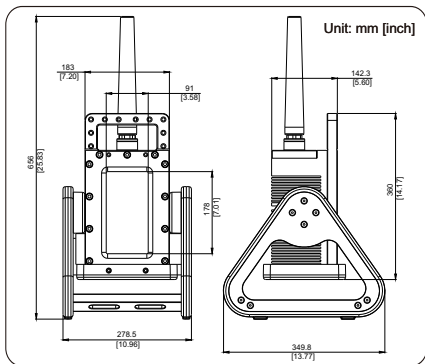


Basic Data

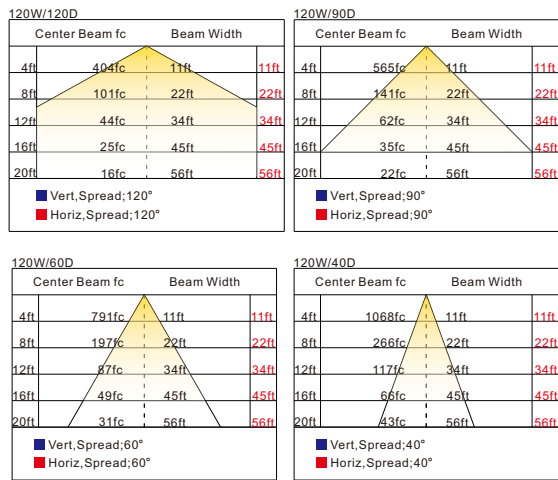
Product Number	Wattage	Color Temp.	Voltage	Lumens	Warranty	CRI
EX-20W UYZD	20	4000K-5700K	100-277/200-480V	2800	5 years	80
EX-30W UYZD	30	4000K-5700K	100-277/200-480V	4200	5 years	80
EX-50W UYZD	50	4000K-5700K	100-277/200-480V	7000	5 years	80
EX-60W UYZD	60	4000K-5700K	100-277/200-480V	8400	5 years	80
EX-80W UYZD	80	4000K-5700K	100-277/200-480V	11200	5 years	80
EX-100W UYZD	100	4000K-5700K	100-277/200-480V	14000	5 years	80
EX-120W UYZD	120	4000K-5700K	100-277/200-480V	16800	5 years	80

“U”=Product code, “Y”=D or N:Dimmable or non-dimmable “Z”= CCT, from 4000~5700K “D”=Beam angle, D40 for 40°,D60 for 60°,D90 for 90°, D120 for 120°.

Dimensions



Lighting Distribution



Special Features

- 1, 15 hours works with Li-ion back up Battery.
- 2, Portable movement with handring.
- 3, Easy installation with magnet.

Approvals

Marking Atex	II2 G Ex db IIC T6 Gb II2 D Ex db IIIC T80 Db IP66
Marking IECEx	Ex db IIC T6 Gb Ex db IIIC T80 Db IP66
Marking UL844 (North American)	Class I,Division 1,Groups C,D Class I,Division 2,Groups A,B,C,D Class II,Division 1,Groups E,F,G Class II,Division 2,Groups E,F,G Class III
Marine Marking	UL 1598A ABS and DNV Type Approved
Other Rating	IP 67 IK 10

Installation



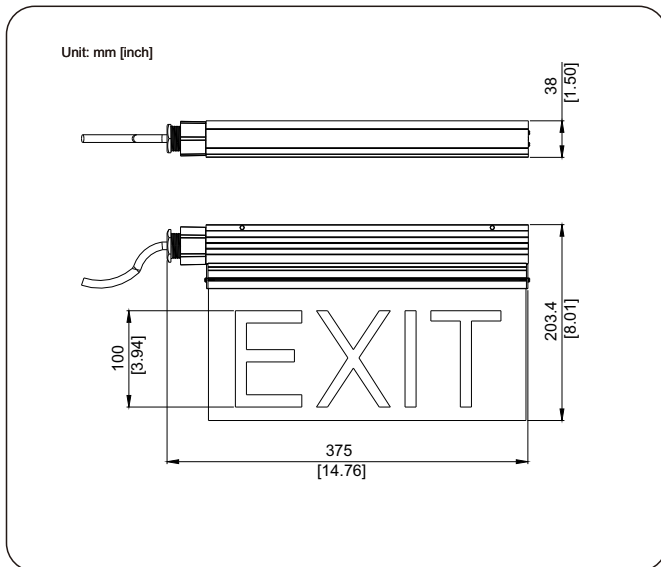


Basic Data

Product Number	Wattage	Color Temp.	Voltage	Emergency time	Warranty
EX-1W Vib	1	Red/Green	100-277V	3 Hours	5 years
EX-2W Vib	2	Red/Green	100-277V	3 Hours	5 years
EX-3W Vib	3	Red/Green	100-277V	3 Hours	5 years

EX for explosion proof product, "V"=Product code, ib for Intrinsic Safety Type of Protection

Dimensions



Approvals

Marking Atex	II2 G Ex ib IIB T6 Gb II2 D Ex ia IIIC T80 Gb IP66
Marking IECEX	Ex ib IIB T6 Gb Ex ia IIIC T80 Gb IP66
Marking UL844/924 <small>(North American)</small>	Class I, Division 2, Groups A, B, C, D Class II, Division 1, Groups E, F, G Class II, Division 2, Groups E, F, G Class III
Marine Marking	UL 1598A ABS and DNV Type Approved
Other Rating	IP 66 IK 10

Technical Data

- Permissible ambient temperature: -30°C to +60°C
- Power: 1~3W
- Rated voltage: C100-277V
- Frequency: 50/60Hz
- Battery Warranty: 3 Years
- Enclosure material: Copper free aluminum alloy
- Battery working duration: 3 hours

Advantages

- 1, Extremely long lifespan.
- 2, High durability and reliability.
- 3, Low working wattage for energy saving.
- 4, Light weight and reasonable size.
- 5, High vibration and impact resistant.
- 6, Fully electrical circuit control.
- 7, Completed automatic control.
- 8, 1/2" NPT conduit hubs.
- 9, T6 Temperature Rating.
- 10, Product cost efficiency.



Basic Data

Product Number	Speaker Watt	LED Power	Voltage	Volume	Warranty	Flash(Max)
EX-WD 100db	15	10	DC 24V	100	5 years	60T/min
EX-WD 110db	20	10	DC 24V	110	5 years	60T/min
EX-WD 120db	25	10	DC 24V	120	5 years	60T/min

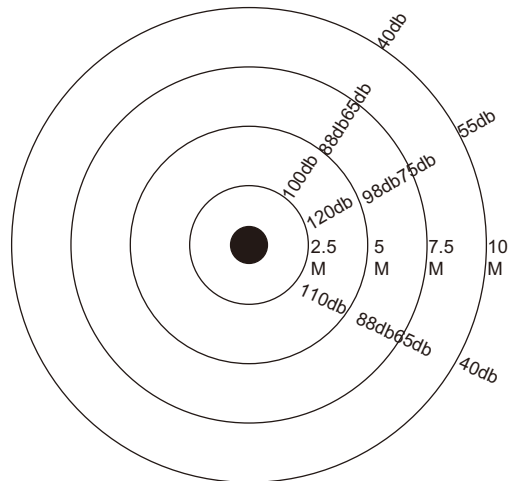
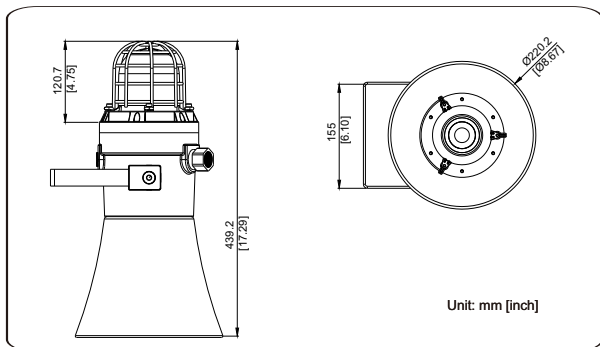
“EX” for explosion proof product; “W”=Product code, WD for Warning Device; 100db for 2.5 meters max volume.

Special Features

- 1, Rated Voltage: 24DC/ 100-277VAC 50/60Hz
- 2, Max output: Up to 135dB(A) at 1 meter, 120 dB(A) at 3 meter Effective
- 3, Intensity: 500 cd
- 4, Peaking Intensity: 1,000,000 cd
- 5, Alarm Rang: 64 alarm tones with 4 stages/ channels Modularazation designing.

Distribution

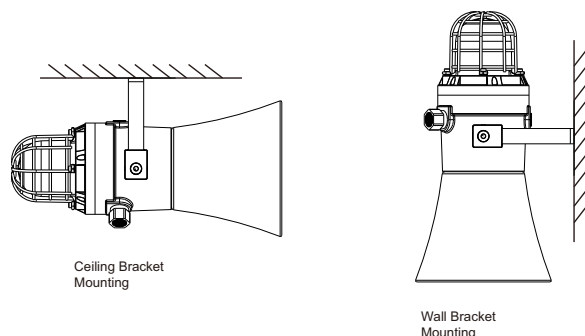
Dimensions



Approvals

Marking Atex	II2 G Ex db IIC T6 Gb II2 D Ex db IIIC T80 Db IP66
Marking IECEX	Ex db IIC T6 Gb Ex db IIIC T80 Db IP66
Marking UL844 <small>(North American)</small>	Class I, Division 1, Groups C, D Class I, Division 2, Groups A, B, C, D Class II, Division 1, Groups E, F, G Class II, Division 2, Groups E, F, G Class III
Marine Marking	UL 1598A ABS and DNV Type Approved
Other Rating	IP 66 IK 10

Installation





KB1



KB2

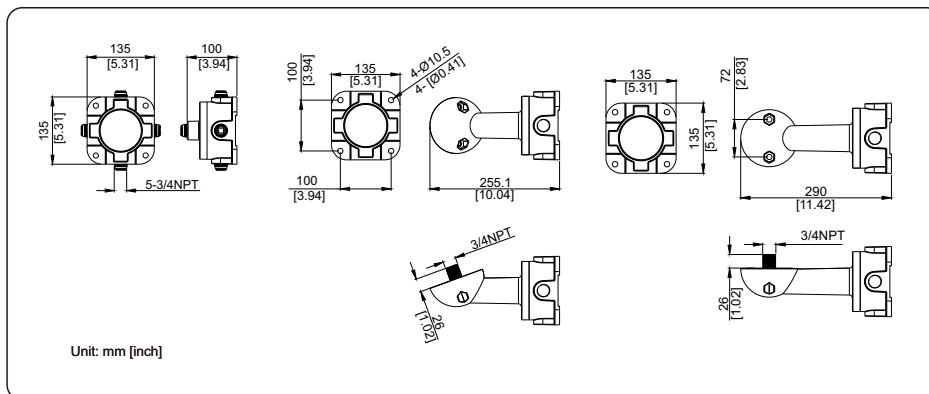


KB3

Product Number	Voltage	Adaptor size	Warranty
EX-JUN KB1	480V	3/4NPT	5 years
EX-JUN KB2	480V	3/4NPT	5 years
EX-JUN KB3	480V	3/4NPT	5 years

EX for explosion proof product, "JUN" for junction box, "KB1,KB2,KB3"=Product code.

Dimensions



Approvals

Marking Atex	II2 G Ex db IIC T6 Gb II2 D Ex db IIIC T80 Db IP66
Marking IECEX	Ex db IIC T6 Gb Ex db IIIC T80 Db IP66
Marking UL844 <small>(North American)</small>	Class I,Division 1,Groups C,D Class I,Division 2,Groups A,B,C,D Class II,Division 1,Groups E,F,G Class II,Division 2,Groups E,F,G Class III
Marine Marking	UL 1598A ABS and DNV Type Approved
Other Rating	IP 66 IK 10

Features

- 1, Surface mounting tabs for easy installation.
- 2, Copper-free aluminum body and cover provides resistance.
- 3, External cover thread on body and smooth hub bushing helps to protect conductor insulation when pulling.
- 4, Covers and gaskets come furnished with these junction boxes as standard.
- 5, Electrostatically applied powder coated finish.



EX-C01



EX-C02

POPULATED FLAMEPROOF CONTROL ENCLOSURES

EVE's EX-C01 series ATEX certified and UL844 certified enclosure.

FLAMEPROOF HIGH VOLTAGE ENCLOSURES

EVE'S EX-C02 series flameproof high voltage junction boxes are available in 26 sizes up to 8kV and 1000 amps. Utilizing EVE's ATEX certified flameproof enclosures, the high voltage enclosures include a set of three porcelain insulators for high voltage applications.

STANDARD FEATURES

- Complete engineering and specific cation review
- ATEX inspection and hydro test for gas group IIB+H2
- Type 4 watertight gasket
- Assembly layout review
- Component assembly and wiring services
- High strength metric steel cover bolts (zinc plated)
- Pre-drilled hinge kit holes (hinge optional)
- Pre-drilled mounting panel holes (mounting panel optional)
- Internal / external ground screws
- Cast-on mounting lugs
- Tumbblast, natural aluminum finish

STANDARD FEATURES

- 16 (one in/one out) and 10 (two in/two out) sizes available
- Set of three porcelain insulators
- Steel mounting panel assembly
- Type 4 watertight gasket
- High strength metric steel cover bolts (zinc plated)
- Pre-drilled hinge kit holes (hinge optional)
- Pre-drilled mounting panel holes (mounting panel optional)
- Internal / external ground screws
- Cast-on mounting lugs
- Tumbblast, natural aluminum finish

DESIGN OPTIONS

- Stainless steel metric cover bolts
- Aluminum hinge kits with stainless steel hardware
- Mounting panels – Galvanized steel, aluminum, or phenolic
- Operators and auxiliary devices
- Window assemblies (round or square / rectangular)
- Custom machining – Milling, counter-boring, spot facing, logos, painting/coating

DESIGN OPTIONS

- Stainless steel metric cover bolts
- Aluminum hinge kits with stainless steel hardware
- Custom machining – Milling, counter-boring, spot facing, logos, paint/coating

CERTIFICATIONS

- Class I, Division 1, Groups B,C,D
- Class II, Division 1, Groups E,F,G
- Class III
- Type 4, 4X, 7, 9
- Epsilon 07 ATEX 2196
- Exd IIB+H2 T6(T5: Ta≤+60C)

CERTIFICATIONS

- Class I, Division 1, Group BCD
- Class II, Division 1, Group EFG
- Class III
- Type 4, 4X, 7, 9
- DEMKO 01 ATEX 0128064
- Exd IIB: T6 or T5: -20°C ≤Ta≤+55°C
- Ex tD A21 IP66 T100°C
- IECEX UL 09.0031X
- Exd IIB: T6 or T5: -20°C ≤Ta≤+55°C
- Ex tD A21 IP66 T100°C



EX-C03

INTERNAL FLANGE FLAMEPROOF ENCLOSURES

STANDARD FEATURES

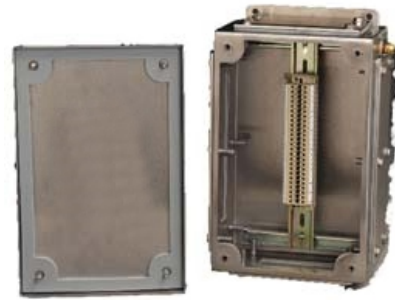
- 22 standard sizes
- Pre-drilled to accept mounting panel (mounting panel optional)
- High strength metric steel cover bolts (zinc plated)
- Internal / external ground screws
- Cast-on mounting lugs
- Tumbblast, natural aluminum finish

DESIGN OPTIONS

- Stainless steel metric cover bolts
- Installation of terminal blocks or cover operators
- Custom machining – Milling, counter-boring, spot facing, logos, paint/ coatings

CERTIFICATIONS

- Class I, Division 1, Groups C,D
- Class II, Division 1, Groups E,F,G
- Class III
- Type 7, 9
- DEMKO 09 ATEX 0816570X (populated)
- Exd IIB T6 or T5: $-20^{\circ}\text{C} \leq T_{\text{amb}} \leq +55^{\circ}\text{C}$
- IECEx UL 08.0023X (populated)
- Ex IIB T6 or T5: $-20^{\circ}\text{C} \leq T_{\text{amb}} \leq +55^{\circ}\text{C}$
- IP40
- Class I, Zone 1, Ex IIB



EX-C04

FLAMEPROOF HIGH VOLTAGE ENCLOSURES

STANDARD FEATURES

- 18 Standard sizes available
- Stainless steel captive hex head, slotted cover screws
- Type 4 watertight, silicone gasket
- Internal rail mount system (except 050503)
- Internal / external ground screws
- Wall mounting flange with .31" clearance holes

DESIGN OPTIONS

- Custom sizes available to meet most specifications
- Gland plates on ABCD sides (top, bottom, left, or right) on 6" depths or greater
- Hinged Cover
- Mounting panels
- Drilled entries or cut outs
- Terminal assembly population
- Lamacoid or stainless steel nameplates
- Window assemblies (square / rectangular)

CERTIFICATIONS

- Class I, Division 2, Groups B,C,D
- Class II, Division 2, Groups E,F,G
- Class III
- Type 4X, 12, 13
- DEMKO 01 ATEX 130438X
- Exe II T6 (T5 : $T_{\text{amb}} \leq +55^{\circ}\text{C}$) (T4: $T_{\text{amb}} \leq +70^{\circ}\text{C}$)
- Ex tD A21 IP66 T200°C
- IECEx UL 09.0016X
- Exe II T6 (T5: $T_{\text{amb}} \leq +55^{\circ}\text{C}$) (T4: $T_{\text{amb}} \leq +70^{\circ}\text{C}$)
- Ex tD A21 IP66 T200°C
- GOST-R
- Class I, Zone 1 Exe II T6 (T5: $T_{\text{amb}} \leq +55^{\circ}\text{C}$) (T4: $T_{\text{amb}} \leq +70^{\circ}\text{C}$)
- Class I, Zone 1 Exd IIB



This SmartCom phone is a special mobile device for potentially explosive locations. It is waterproof with very light aluminium housing and nice appearance. The battery can last for more than 8 hours make it easy to use for any rugged environment.

Advantage

- Ex ib IIB T4 Gb
- Ex ib IIIC T135C db -20°C~+40°C
- Military level waterproof, dustproof and shockproof
- GPS tracking and positioning
- PTT public network intercom
- NFC routing inspection
- 4G all network link
- NFC routing inspection
- HD camera
- Extra long standby time
- Working customization key

Applications

Certification Atex	Ex ib IIB T4 Gb Ex ib IIIC T135C db -20°C~+40°C
HD Video conference	SIPIDO
Management Solution	Collaboration Suite
Browser	HTML5 with full range of features
Document display	Office Documents and PDF documents
Operating temperature	-20 °C to +45 °C
Storage temperature	-40 °C to +60 °C

Video and imaging

Video quality	Full HD video (1080p, 30 fps)
Resolution	5M+13M
Video codecs	H.264/AVC
Memory	64 GB

Audio

Headset	Handsfree support
Wireless headset	Bluetooth audio headset support
Handsfree	Integrated mic and speaker
Sound quality	Echo cancellation
Audio out	Standard 3.5 mm connection

Robust design

Impact	Impact-resistant to 2 joules
Drop	Drop-resistant to 1.5 metres
Protection class	Waterproof (IP 68)
Enclosure	Made from one piece of aluminium
Connections	Covered USB port
Screen	1.1 mm Gorilla Glass

Sensors

Orientation	3 axis gyroscope
Positioning	Global Positioning System (GPS)
Acceleration	3D Accellerometer
Navigation	Compass
Temperature	N/A
Pressure	N/A

Power supply

Battery	8000 mAh
Talk time	12 h
Video recording	6 h full operating time

Ergonomics

Touchscreen	Not Suitable for use when wearing gloves moisture resistant
Shape factor	User-friendly due to ergonomic design
Fall protection	Strap for ergonomic operation



This SmartCom phone is a special mobile device for potentially explosive locations. It is waterproof with very light aluminium housing and nice appearance. The battery can last for more than 8 hours make it easy to use for any rugged environment.

Advantage

- Ex ib IIB T4 Gb
- Ex ib IIIC T135C db -20°C~+40°C
- Military level waterproof, dustproof and shockproof
- GPS tracking and positioning
- PTT public network intercom
- NFC routing inspection
- 4G all network link
- NFC routing inspection
- HD camera
- Extra long standby time
- Working customization key

Applications

Certification Atex	Ex ib IIB T4 Gb Ex ib IIIC T135C db -20°C~+45°C
HD Video conference	SIPIDO
Management Solution	Collaboration Suite
Browser	HTML5 with full range of features
Document display	Office Documents and PDF documents
Operating temperature	-20 °C to +45 °C
Storage temperature	-40 °C to +60 °C

Video and imaging

Video quality	Full HD video (1080p, 30 fps)
Resolution	8 megapixel stills
Video codecs	H.264/AVC
Memory	32 GB

Audio

Headset	Handsfree support
Wireless headset	Bluetooth audio headset support
Handsfree	Integrated mic and speaker
Sound quality	
Audio out	Standard 3.5 mm connection

Robust design

Impact	
Drop	Drop-resistant to 1.2 metres
Protection class	Waterproof (IP 68)
Enclosure	
Connections	Covered USB port
Screen	1.1 mm Gorilla Glass

Sensors

Orientation	3 axis gyroscope
Positioning	Global Positioning System (GPS)
Acceleration	Accellerometer
Navigation	Compass
Temperature	N/A
Pressure	N/A

Power supply

Battery	3600 mAh
Talk time	8 hours
Video recording	4 hours full operating time

Ergonomics

Touchscreen	Not Suitable for use when wearing gloves moisture resistant
Shape factor	User-friendly due to ergonomic design
Fall protection	Strap for ergonomic operation



This SmartCom phone is a special mobile device for potentially explosive locations. It is waterproof with very light aluminium housing and nice appearance. The battery can last for more than 8 hours make it easy to use for any rugged environment.

Advantage

- Ex ib IIB T4 Gb
- Ex ib IIIC T135C db -20°C~+40°C
- Military level waterproof, dustproof and shockproof
- GPS tracking and positioning
- PTT public network intercom
- NFC routing inspection
- 4G all network link
- NFC routing inspection
- HD camera
- Extra long standby time
- Working customization key

Applications

Certification Atex	Ex ib IIB T4 Gb Ex ib IIIC T135C db -20°C~+40°C
HD Video conference	SIPIDO
Management Solution	Collaboration Suite
Browser	HTML5 with full range of features
Document display	Office Documents and PDF documents
Operating temperature	-20 °C to +45 °C
Storage temperature	-40 °C to +60 °C

Video and imaging

Video quality	Full HD video (1080p, 30 fps)
Resolution	8M+16/5M
Video codecs	H.264/AVC
Memory	128 GB

Audio

Headset	Handsfree support
Wireless headset	Bluetooth audio headset support
Handsfree	Integrated mic and speaker
Sound quality	
Audio out	Standard 3.5 mm connection

Robust design

Impact	
Drop	Drop-resistant to 1.2 metres
Protection class	Waterproof (IP 68)
Enclosure	
Connections	Not covered USB port
Screen	1.1 mm Gorilla Glass

Sensors

Orientation	3 axis gyroscope
Positioning	Global Positioning System (GPS)
Acceleration	Accellerometer
Navigation	N/A
Temperature	N/A
Pressure	N/A

Power supply

Battery	5000 mAh
Talk time	8 hours
Video recording	4 hours full operating time

Ergonomics

Touchscreen	Not Suitable for use when wearing gloves moisture resistant
Shape factor	User-friendly due to ergonomic design
Fall protection	Strap for ergonomic operation



Items	RS801	RS802	RS803
Size	168mm x 86mm x 15.9mm	155mm x 74.6mm x 11.9mm	167.2mm x 78.3mm x 13.8mm
Weight	340 g	211 g	248 g
Screen size	5.5" FHD	5.5" FHD	5.7" FHD
Resolution	1080 x 1920 pixels	640 x 1280 pixels	1080 x 2160 pixels
Brightness	Display can be read in direct sunlight		
Touchscreen	Not Suitable for use when wearing gloves		
Glass	Gorilla Glass (IP 68)		
Buttons	On/Of, Volume, Camera		

Scope of delivery	
Charger	USB
Warranty	1 year hardware warranty
User Manual	Quick guide
USB cable	USB cable for charging and data transfer
Software updates	Available using Collaborate Suite or Fota
Packaging	With customised foam inlays

Network functions	
Wi-Fi	802.11 a/b/g/n (2.4 GHz & 5 GHz)
Cellular	4G/HSPA+ (CDMA available)
Bluetooth	Bluetooth 4.0
Bandwidth	Dynamic Bandwidth Control
Operating system	Android 7.0 for RS801, Android 8.1 for RS802 and RS803

This product will allow you to carry around in a C1D2 / Zone2 area the most popular Phone in the world. This products is designed to resist to shocks, vibrations, dust and water in indoor and outdoor environments. This products allows you to connect securely to your VPN network through Wi-Fi, 3G or 4G.



iPhone 7



iPhone 8

Features

- Class1 Div2. Hazardous Location Listing for the US and Canada
- ATEX Zone2. Hazardous Location Listing for Europe.
- Group A, B, C, D
- Nema 4 (Outdoors application)
- IP64 (Water / Dust resistant)
- Wi-Fi (802.11a/b/g/n/ac)
- Bluetooth 4.0 wireless technology
- 32Gb Storage (see options for more Storage)
- 4.7-inch (diagonal) widescreen Multi-Touch display
- Brightness: 625 cd/m2 (nits)
- 12-megapixel back camera. 7-megapixel front camera
- Powerful A10 chip
- Built-in rechargeable lithium-ion battery
- Talk time: Up to 14 hours on 3G
- Internet use: Up to 12 hours on 3G, up to 12 hours on LTE, up to 14 hours on Wi-Fi
- Charging via USB to computer system or power adapter
- Operating temperature: 32°to 95°F
- Non-operating temperature: -4°to 113°F
- Humidity: 5% to 95% non-condensing
- Height: 6" (152 mm)
- Width: 3" (76 mm)
- Depth: 0.7" (18 mm)
- Weight: 0.35 lbs (0.16 kg)

Other information

- Bluetooth Headset for Video Calling (Ex certified)
- 32GB, 128Gb or 256gb Storage
- Carriers: AT&T, Sprint, T-mobile or Verizon. Nano SIM.
- AppleCare+ (extends coverage to 2 years and adds 2 accidental damage coverage)

Features

- Class1 Div2. Hazardous Location Listing for the US and Canada
- ATEX Zone2. Hazardous Location Listing for Europe.
- Group A, B, C, D
- Nema 4 (Outdoors application)
- IP54 (Water / Dust resistant)
- Wi-Fi (802.11a/b/g/n/ac)
- Bluetooth 4.0 wireless technology
- 64Gb Storage (see options for more Storage)
- 4.7-inch (diagonal) widescreen Multi-Touch display
- 1334-by-750-pixel resolution
- 12-megapixel iSight camera.
- Powerful A11 chip
- Built-in rechargeable lithium-ion battery
- Talk time: Up to 14 hours on 3G
- Internet use: Up to 12 hours
- Charging via USB to computer system or power adapter
- Operating temperature: 32°to 95°F
- Non-operating temperature: -4°to 113°F
- Humidity: 5% to 95% non-condensing
- Height: 7.9" (200 mm)
- Width: 4.3" (109 mm)
- Depth: 0.8" (20 mm)
- Weight: 0.65 lbs (0.29 kg)

Other information

- Bluetooth Headset for Video Calling (Ex certified)
- 256gb Storage
- Carriers: AT&T, Sprint, T-mobile or Verizon. Nano SIM.
- AppleCare+ (extends coverage to 2 years and adds 2 accidental damage coverage)

This product will allow you to carry around in a C1D2 / Zone2 area the most popular Phone in the world. This product is designed to resist to shocks, vibrations, dust and water in indoor and outdoor environments. This product allows you to connect securely to your VPN network through Wi-Fi, 3G or 4G.



iPhone 8 plus

Features

- Class1 Div2. Hazardous Location Listing for the US and Canada
- ATEX Zone2. Hazardous Location Listing for Europe.
- Group A, B, C, D
- Nema 4 (Outdoors application)
- IP54 (Water / Dust resistant)
- Wi-Fi (802.11a/b/g/n/ac)
- NFC
- Bluetooth 4.0 wireless technology
- 64Gb Storage (see options for more Storage)
- 5.5-inch (diagonal) widescreen Multi-Touch display
- 1920-by-1080-pixel resolution
- 12-megapixel iSight camera
- Powerful A11 chip
- Built-in rechargeable lithium-ion battery
- Talk time: Up to 14 hours
- Internet use: Up to 12 hours
- Charging via USB to computer system or power adapter
- Operating temperature: 32° to 95°F
- Non-operating temperature: -4° to 113°F
- Humidity: 5% to 95% non-condensing
- Height: 8.4" (213 mm)
- Width: 5.3" (134 mm)
- Depth: 1" (25 mm)
- Weight: 0.65 lbs (0.29 kg)

Other information

- Bluetooth Headset for Video Calling (Ex certified)
- 256gb Storage
- Carriers: AT&T, Sprint, T-mobile or Verizon. Nano SIM.
- AppleCare+ (extends coverage to 2 years and adds 2 accidental damage coverage)



iPhone X

Features

- Class1 Div2. Hazardous Location Listing for the US and Canada
- ATEX Zone2. Hazardous Location Listing for Europe.
- Group A, B, C, D
- Nema 4 (Outdoors application)
- IP54 (Water / Dust resistant)
- Wi-Fi (802.11a/b/g/n/ac)
- NFC
- Bluetooth 4.0 wireless technology
- 64Gb Storage (see options for more Storage)
- 5.8-inch (diagonal) OLED Multi-Touch display
- 2436-by-1125-pixel resolution
- 12-megapixel back camera. 7MP front camera
- Powerful A11 chip
- Built-in rechargeable lithium-ion battery
- Talk time: Up to 21 hours
- Internet use: Up to 12 hours
- Charging via USB or wireless charging
- Operating temperature: 32° to 95°F
- Non-operating temperature: -4° to 113°F
- Humidity: 5% to 95% non-condensing
- Height: 6.2" (157 mm)
- Width: 3.25" (93 mm)
- Depth: 0.5" (13 mm)
- Weight: 0.65 lbs (0.29 kg)

Other information

- Bluetooth Headset for Video Calling (Ex certified)
- 256gb Storage
- Carriers: AT&T, Sprint, T-mobile or Verizon. Nano SIM.
- AppleCare+ (extends coverage to 2 years and adds 2 accidental damage coverage)



Contact Person: Cady Liu

USA Phone: +1 973 960 1877

Email: cady@jamesindustry.com

Web: www.everyindustry.com

USA Office

2369 Pacifica Place

Rancho Dominguez

Ca90220

USA