

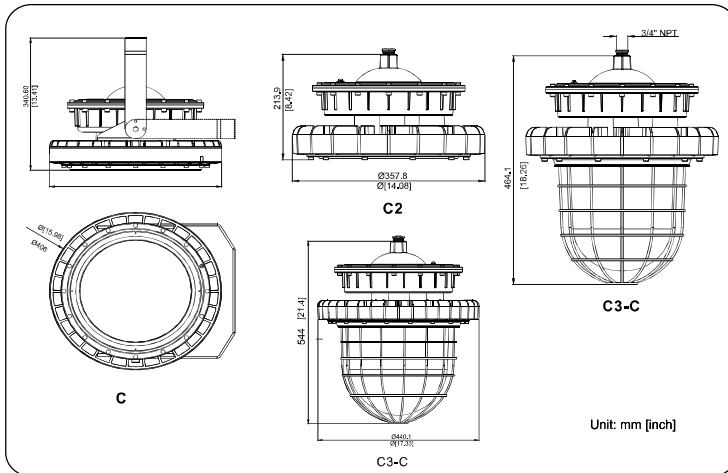


Basic Data

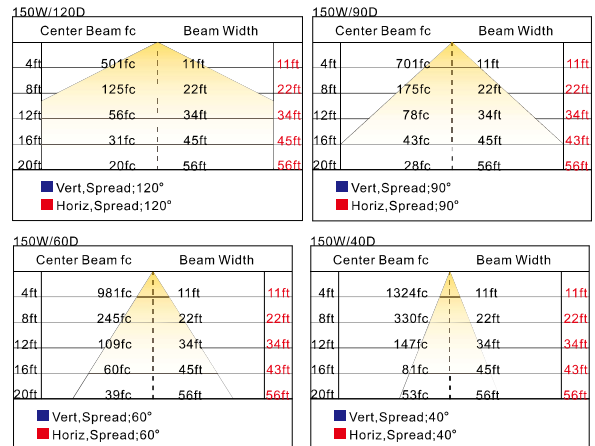
Product Number	Wattage	Color Temp.	Voltage	Lumens	Warranty	CRI
EX-20W C2YZDA	20	4000K-5700K	100-277/200-480V	2800	5 years	70
EX-60W C2YZDA	60	4000K-5700K	100-277/200-480V	8400	5 years	70
EX-80W C2YZDA	80	4000K-5700K	100-277/200-480V	11200	5 years	70
EX-100W CYZDA	100	4000K-5700K	100-277/200-480V	14000	5 years	70
EX-150W CYZDA	150	4000K-5700K	100-277/200-480V	21000	5 years	70
EX-200WC3YZDA	200	4000K-5700K	100-277/200-480V	28000	5 years	70
EX-300W C3YZDA	300	4000K-5700K	100-277/200-480V	42000	5 years	70

“C,C2,C3”=Product code, “Y”=D or N:Dimmable or non-dimmable “Z”= CCT, from 4000~5700K “D”=Beam angle, D40 for 40°,D60 for 60°,D90 for 90°, D120 for 120° A for glass info. blank for flat glass, C for spherical glass.

Dimensions



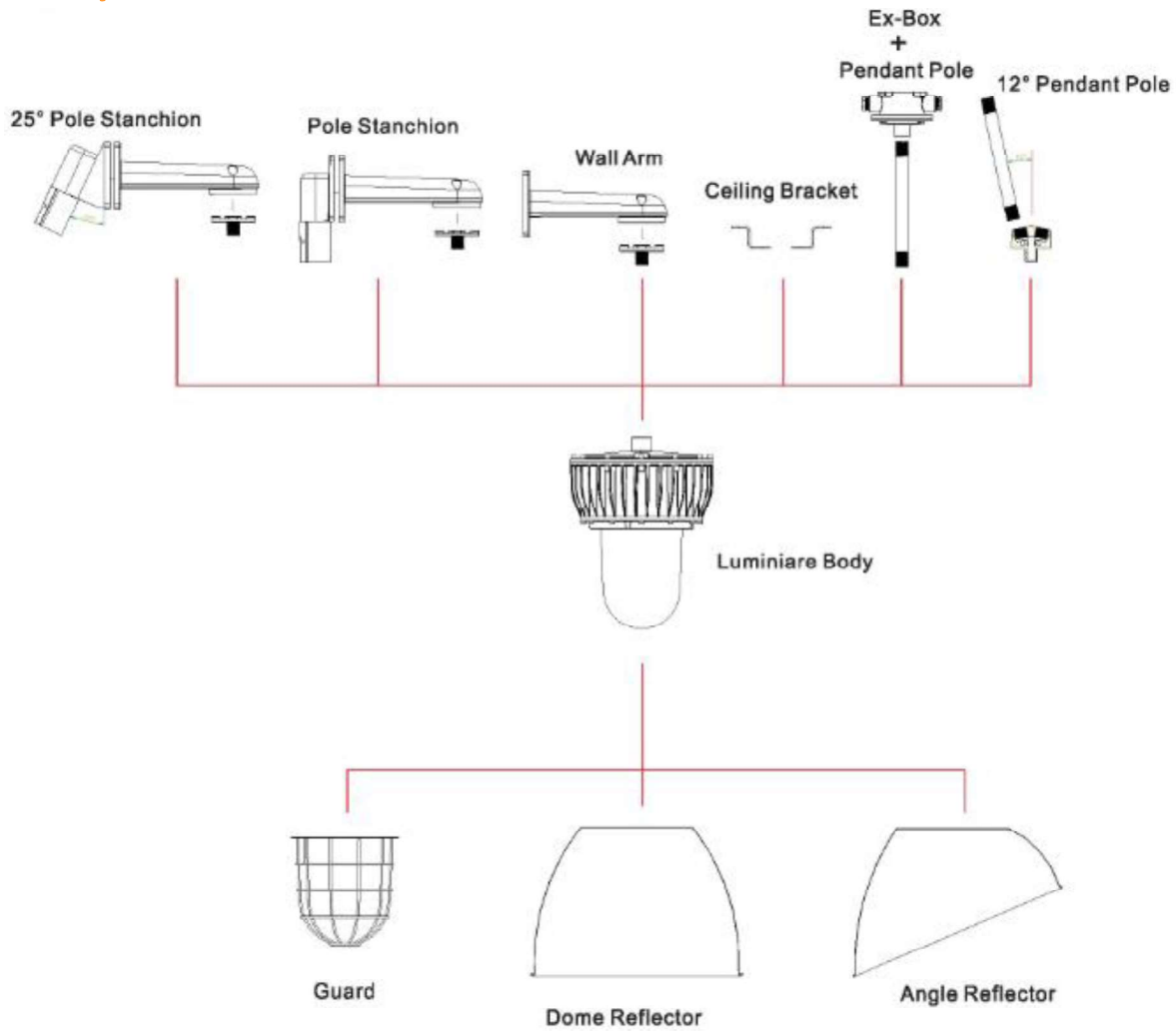
Lighting Distribution



Approvals

Marking Atex	II2 G Ex db IIC T6 Gb II2 D Ex db IIIC T80 Db IP66
Marking IECEX	Ex db IIC T6 Gb Ex db IIIC T80 Db IP66
Marking UL844 (North American)	Class I, Division 1, Groups C, D Class I, Division 2, Groups A, B, C, D Class II, Division 1, Groups E, F, G Class II, Division 2, Groups E, F, G Class III
Marine Marking	UL 1598A ABS and DNV Type Approved
Other Rating	IP 66 IK 10

## Family Tree of Installation



Adaptor	Conduit	Catalog No.
25° Pole Stanchion	3/4" or 1"	25 DPS
Pole Stanchion	3/4" or 1"	PS
Wall Arm	3/4" or 1"	WA
Ceiling Bracket	Expand Screw	CB
Pendant Pole	Use Ex-Box	PP
12° Pendant Pole	3/4" or 1"	12 DPP
Ex-Box	3/4"	EB