

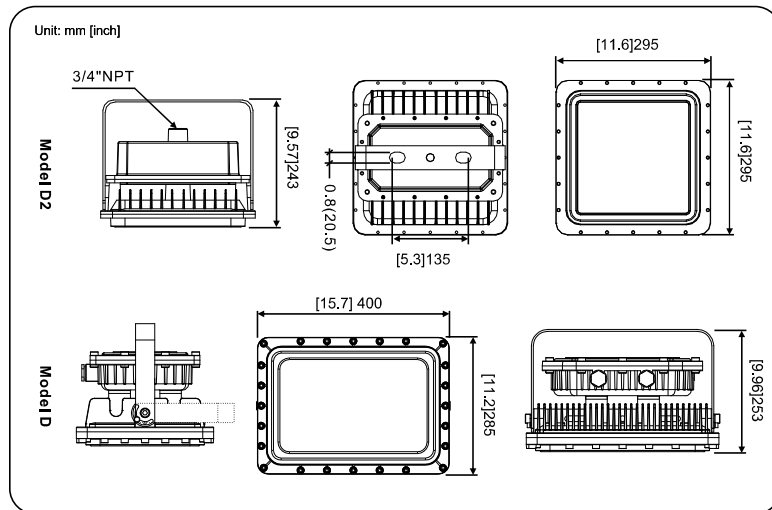


Basic Data

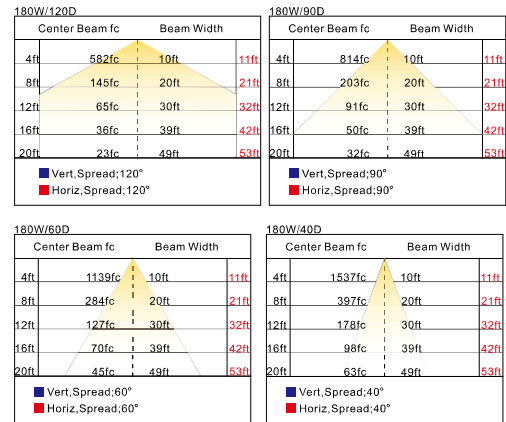
| Product Number | Wattage | Color Temp. | Voltage | Lumens | Working Hours | CRI |
|----------------|---------|-------------|--------------------------|--------|---------------|-----|
| EX-20W D2YZDA | 20 | 4000K-5700K | AC100-277V | 2800 | 5 years | 70 |
| EX-40W D2YZDA | 40 | 4000K-5700K | AC100-277V | 5600 | 5 years | 70 |
| EX-60W D2YZDA | 60 | 4000K-5700K | AC100-277V | 8400 | 5 years | 70 |
| EX-80W D2YZDA | 80 | 4000K-5700K | AC100-277V | 11200 | 5 years | 70 |
| EX-100W DYZDA | 100 | 4000K-5700K | AC100-277V or AC200-480V | 14000 | 5 years | 70 |
| EX-150W DYZDA | 150 | 4000K-5700K | AC100-277V or AC200-480V | 21000 | 5 years | 70 |
| EX-180W DYZDA | 180 | 4000K-5700K | AC100-277V or AC200-480V | 25200 | 5 years | 70 |

“D, D2”=Product series “Y”=D or N:Dimmable or non-dimmable “Z”= CCT, from 4000~5700K “D”=Beam angle, D40 for 40°,D60 for 60°,D90 for 90°, D120 for 120° A for glass info. blank for flat glass, C for spherical glass.

Dimensions



Lighting Distribution



Approvals

| | |
|--|---|
| Marking Atex | II2 G Ex db IIC T6 Gb II2 D Ex db IIIC T80 Db IP66 |
| Marking IECEx | Ex db IIC T6 Gb Ex db IIIC T80 Db IP66 |
| Marking UL844 <small>(North American)</small> | Class I, Division 1, Groups C, D Class I, Division 2, Groups A, B, C, D Class II, Division 1, Groups E, F, G Class II, Division 2, Groups E, F, G Class III |
| Marine Marking | UL 1598A ABS and DNV Type Approved |
| Other Rating | IP 66 IK 10 |

Installation

