



Flat glass

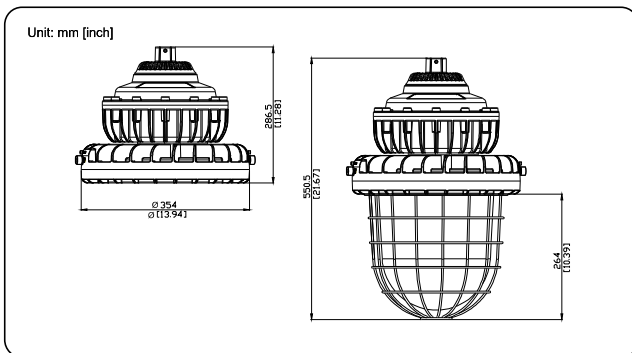
Spherical glass

Basic Data

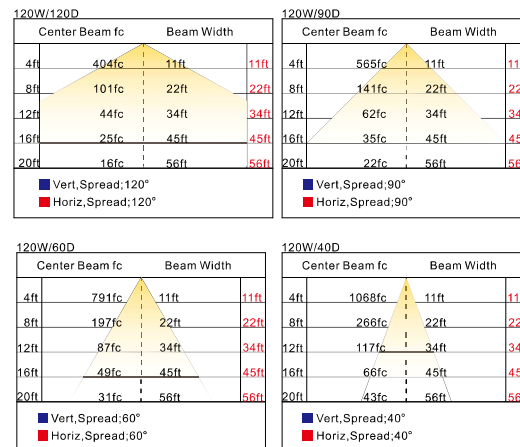
Product Number	Wattage	Color Temp.	Voltage	Lumens	Warranty	CRI
EX-20W EYZDA	20	4000K-5700K	100-277/200-480V	2800	5 years	70
EX-80W EYZDA	80	4000K-5700K	100-277/200-480V	11200	5 years	70
EX-100W EYZDA	100	4000K-5700K	100-277/200-480V	14000	5 years	70
EX-120W EYZDA	120	4000K-5700K	100-277/200-480V	16800	5 years	70
EX-150W EYZDA	150	4000K-5700K	100-277/200-480V	21000	5 years	70

“E”=Product code, “Y”=D or N:Dimmable or non-dimmable “Z”= CCT, from 4000~5700K “D”=Beam angle, D40 for 40°,D60 for 60°,D90 for 90°, D120 for 120° A for glass info. blank for flat glass, C for spherical glass.

Dimensions



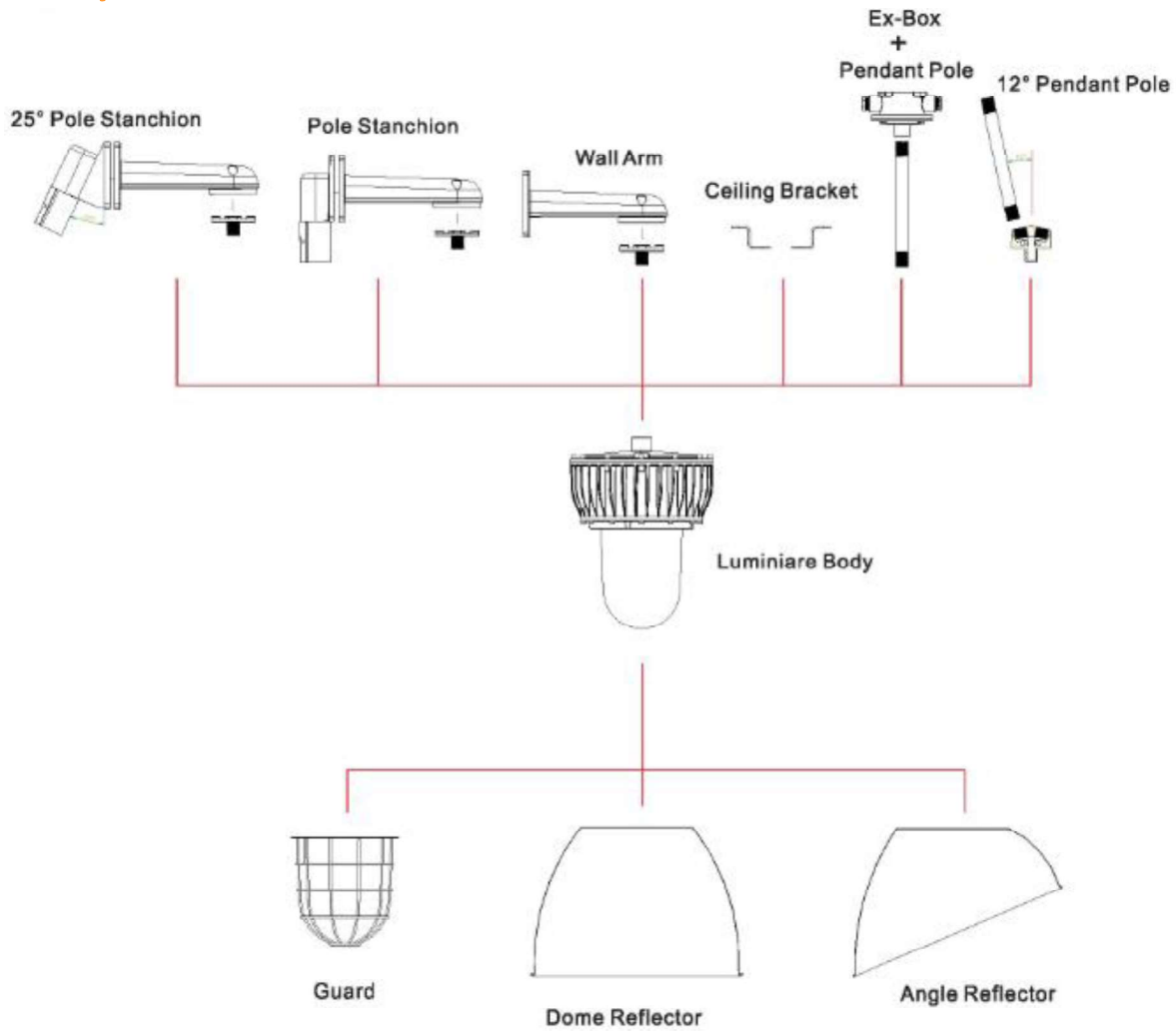
Lighting Distribution



Approvals

Marking Atex	II2 G Ex db IIC T6 Gb II2 D Ex db IIIC T80 Db IP66
Marking IECEX	Ex db IIC T6 Gb Ex db IIIC T80 Db IP66
Marking UL844 <small>(North American)</small>	Class I,Division 1,Groups C,D Class I,Division 2,Groups A,B,C,D Class II,Division 1,Groups E,F,G Class II,Division 2,Groups E,F,G Class III
Marine Marking	UL 1598A ABS and DNV Type Approved
Other Rating	IP 66 IK 10

Family Tree of Installation



Adaptor	Conduit	Catalog No.
25° Pole Stanchion	3/4" or 1"	25 DPS
Pole Stanchion	3/4" or 1"	PS
Wall Arm	3/4" or 1"	WA
Ceiling Bracket	Expand Screw	CB
Pendant Pole	Use Ex-Box	PP
12° Pendant Pole	3/4" or 1"	12 DPP
Ex-Box	3/4"	EB