

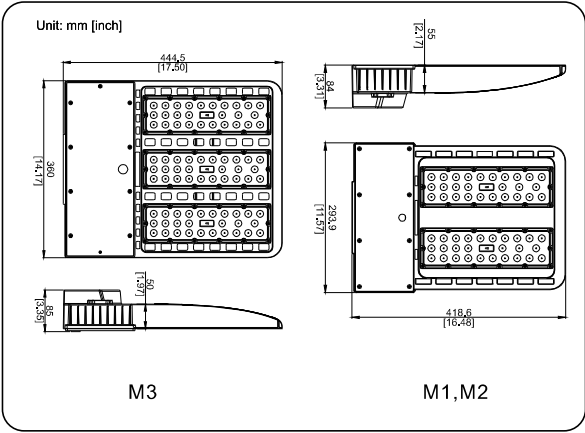


Basic Data

Product Number	Wattage	Color Temp.	Voltage	Lumens	Warranty	CRI
EX-60W M1YZT3	60	4000K-5700K	100-277/200-480V	8400	5 years	70
EX-100W M2YZT3	100	4000K-5700K	100-277/200-480V	14000	5 years	70
EX-150W M3YZT3	150	4000K-5700K	100-277/200-480V	21000	5 years	70
EX-200W M3YZT3	200	4000K-5700K	100-277/200-480V	28000	5 years	70

“M1, M2, M3”=Product code, “Y”=D or N, dimmable or non-dimmable “Z”=CCT, from 400-5700K, 40 for 4000K, 45 for 4500K... “T3”=Beam angle

Dimensions



Lighting Distribution

200W/120D

	Center Beam fc	Beam Width	
10ft	60fc	20ft	43ft
20ft	15fc	40ft	88ft
30ft	7fc	60ft	132ft
40ft	4fc	80ft	176ft
50ft	2fc	100ft	220ft

■ Vert, Spread; 90°
■ Horiz, Spread; 120°

Approvals

Marking Atex	II2 G Ex db IIB T6 Gb II2 D Ex db IIIC T80 Db IP66
Marking IECEX	Ex db IIB T6 Gb Ex db IIIC T80 Db IP66
Marking UL844 <small>(North American)</small>	Class I, Division 2, Groups A, B, C, D Class II, Division 1, Groups E, F, G Class II, Division 2, Groups E, F, G Class III
Marine Marking	UL 1598A ABS and DNV Type Approved
Other Rating	IP 66 IK 10

