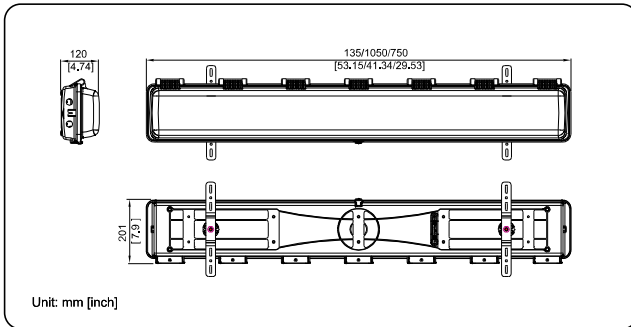




Product Number	Wattage	Color Temp.	Voltage	Lumens	Warranty	CRI
EX-20W R2YZDA	20	4000K-5700K	100-277/200-480V	2800	5 years	70
EX-40W R2YZDA	40	4000K-5700K	100-277/200-480V	5600	5 years	70
EX-50W R3YZDA	50	4000K-5700K	100-277/200-480V	7000	5 years	70
EX-60W R3YZDA	60	4000K-5700K	100-277/200-480V	8400	5 years	70
EX- 50W R4YZDA	50	4000K-5700K	100-277/200-480V	7000	5 years	70
EX- 60W R4YZDA	60	4000K-5700K	100-277/200-480V	8400	5 years	70
EX- 72W R4YZDA	72	4000K-5700K	100-277/200-480V	10800	5 years	70

“Q1,Q2”=Product code, “Y”=D or N:Dimmable or non-dimmable “Z”= CCT, from 4000~5700K “D”=Beam angle, D40 for 40°,D60 for 60°,D90 for 90°, D120 for 120° A for glass info. blank for flat glass, C for spherical glass.

Dimensions



80W/120D

	Center Beam fc	Beam Width	
17ft	14fc	51ft	51ft
34ft	3fc	103ft	101ft
51ft	2fc	154ft	153ft
68ft	0.8fc	256ft	255ft
85ft	0.6fc	307ft	306ft

■ Vert, Spread; 120°
■ Horiz, Spread; 120°

Lighting Distribution

Approvals

Marking Atex	II 2GD Ex db eb mb op is q IIC T5/T4 Gb Ex tb op is IIIC T80 Db IP66
Marking IECEx	Ex db IIB T6 Gb Ex db IIIC T80 Gb IP66
Marking UL844 <small>(North American)</small>	Class I, Division 2, Groups A, B, C, D Class II, Division 1, Groups E, F, G Class II, Division 2, Groups E, F, G Class III
Marine Marking	UL 1598A ABS and DNV Type Approved
Other Rating	IP 66 IK 10

Installation

