

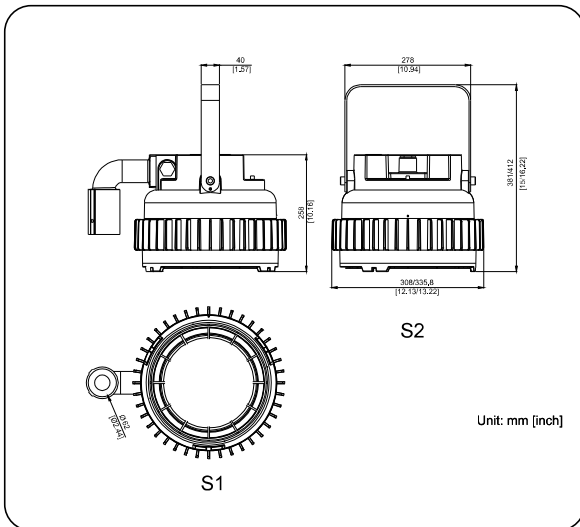


Basic Data

Product Number	Wattage	Color Temp.	Voltage	Lumens	Warranty	CRI
EX-20W S1YZDA	20	4000K-5700K	100-277/200-480V	2800	5 years	70
EX-40W S1YZDA	40	4000K-5700K	100-277/200-480V	5600	5 years	70
EX-60W S1YZDA	60	4000K-5700K	100-277/200-480V	8400	5 years	70
EX-80W S1YZDA	80	4000K-5700K	100-277/200-480V	11200	5 years	70
EX-100W S2YZDA	100	4000K-5700K	100-277/200-480V	14000	5 years	70
EX-150W S2YZDA	150	4000K-5700K	100-277/200-480V	21000	5 years	70
EX-200W S2YZDA	200	4000K-5700K	100-277/200-480V	28000	5 years	70

“S1,S2”=Product code, “Y”=D or N:Dimmable or non-dimmable “Z”= CCT, from 4000~5700K “D”=Beam angle, D40 for 40°,D60 for 60°,D90 for 90°, D120 for 120° A for glass info. blank for flat glass, C for spherical glass.

Dimensions



Lighting Distribution

160W/120D			160W/90D		
Center Beam fc	Beam Width		Center Beam fc	Beam Width	
4ft	552fc	11ft	11ft	804fc	8ft
8ft	165fc	22ft	22ft	244fc	15ft
12ft	73fc	34ft	33ft	109fc	24ft
16ft	40fc	45ft	45ft	62fc	32ft
20ft	26fc	57ft	57ft	39fc	39ft

■ Vert, Spread;120°
■ Horiz, Spread;120°

160W/60D			160W/40D		
Center Beam fc	Beam Width		Center Beam fc	Beam Width	
4ft	11105fc	6ft	5ft	1567fc	4ft
8ft	341fc	11ft	11ft	477fc	7ft
12ft	152fc	17ft	14ft	213fc	11ft
16ft	86fc	22ft	23ft	120fc	15ft
20ft	55fc	27ft	31ft	77fc	19ft

■ Vert, Spread;60°
■ Horiz, Spread;60°

■ Vert, Spread;90°
■ Horiz, Spread;90°

■ Vert, Spread;40°
■ Horiz, Spread;40°

Approvals

Marking Atex	II2 G Ex db IIB T6 Gb II2 D Ex db IIIC T80 Db IP66
Marking IECEx	Ex db IIB T6 Gb Ex db IIIC T80 Db IP66
Marking UL844 (North American)	Class I, Division 2, Groups A, B, C, D Class II, Division 1, Groups E, F, G Class II, Division 2, Groups E, F, G Class III
Marine Marking	UL 1598A ABS and DNV Type Approved
Other Rating	IP 66 IK 10

Installation

