



Basic Data

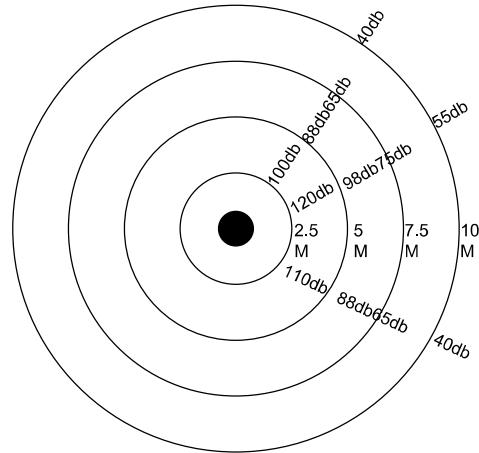
Product Number	Speaker Watt	LED Power	Voltage	Volume	Warranty	Flash(Max)
EX-WD 100db	15	10	DC 24V	100	5 years	60T/min
EX-WD 110db	20	10	DC 24V	110	5 years	60T/min
EX-WD 120db	25	10	DC 24V	120	5 years	60T/min

“EX” for explosion proof product; “W”=Product code, WD for Warning Device; 100db for 2.5 meters max volume.

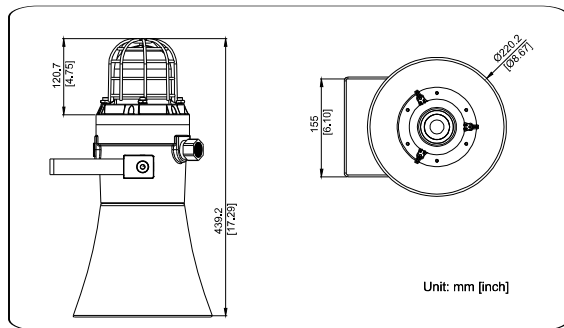
Special Features

- 1, Rated Voltage: 24DC/ 100-277VAC 50/60Hz
- 2, Max output: Up to 135dB(A) at 1 meter, 120 dB(A) at 3 meter Effective
- 3, Intensity: 500 cd
- 4, Peaking Intensity: 1,000,000 cd
- 5, Alarm Rang: 64 alarm tones with 4 stages/ channels Modularazation designing.

Distribution



Dimensions



Approvals

Marking Atex	II2 G Ex db IIC T6 Gb II2 D Ex db IIIC T80 Db IP66
Marking IECEx	Ex db IIC T6 Gb Ex db IIIC T80 Db IP66
Marking UL844 <small>(North American)</small>	Class I, Division 1, Groups C, D Class I, Division 2, Groups A, B, C, D Class II, Division 1, Groups E, F, G Class II, Division 2, Groups E, F, G Class III
Marine Marking	UL 1598A ABS and DNV Type Approved
Other Rating	IP 66 IK 10

Installation

